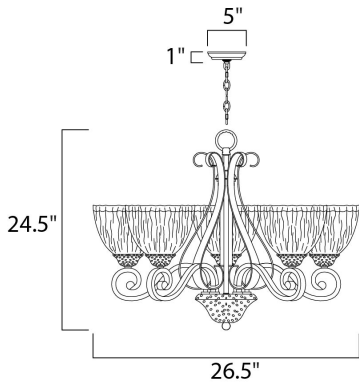




PRODUCT DESCRIPTION

Heavy hand forged frames finished in Oil Rubbed Bronze is warmed by the glow of our new Amber Ice glass.



MEASUREMENTS

DIMENSION : 26.5" W x 24.5" H
 CANOPY : 5" W x 1" H x 5" L
 HANGING WEIGHT : 22.05 lb

LAMPING

INPUT VOLTAGE : 120V
 BULB : 5 x 100W Incandescent E26 Medium , 500W Total
 BULB INCLUDED : (Not Included)
 DIMMABLE : Standard

FINISHES OPTION

 Oil Rubbed Bronze

GLASS

Amber Ice AI

MATERIAL

Iron

RATINGS

Dry Location



ADDITIONAL

OPERATING TEMPERATURE:
 -20°C (-4°F), 40°C (104°F)

Always consult a qualified electrician before installing any lighting product.



WESTERN DISTRIBUTION CENTER (HEADQUARTER)
 253 NORTH VINELAND AVE | CITY OF INDUSTRY, CA 91746

EASTERN DISTRIBUTION CENTER
 4200 SHIRLEY DR. | ATLANTA, GA 30336

P. 626.956.4200 | F. 626.956.4225 | maximlighting.com