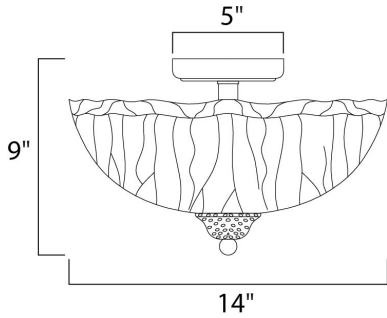




**PRODUCT DESCRIPTION**

Heavy hand forged frames finished in Oil Rubbed Bronze is warmed by the glow of our new Amber Ice glass.




**MEASUREMENTS**

DIMENSION : 14" W x 9" H  
 HANGING WEIGHT : 8.82 lb

**LAMPING**

INPUT VOLTAGE : 120V  
 BULB : 3 x 60W Incandescent E26 Medium , 180W Total  
 BULB INCLUDED : (Not Included)  
 DIMMABLE : Standard

**FINISHES OPTION**

 Oil Rubbed Bronze

**GLASS**

Amber Ice AI

**MATERIAL**

Iron

**RATINGS**

Dry Location



**ADDITIONAL**

OPERATING TEMPERATURE:  
 -20°C (-4°F), 40°C (104°F)

Always consult a qualified electrician before installing any lighting product.



**WESTERN DISTRIBUTION CENTER (HEADQUARTER)**  
 253 NORTH VINELAND AVE | CITY OF INDUSTRY, CA 91746

**EASTERN DISTRIBUTION CENTER**  
 4200 SHIRLEY DR. | ATLANTA, GA 30336

P. 626.956.4200 | F. 626.956.4225 | maximlighting.com