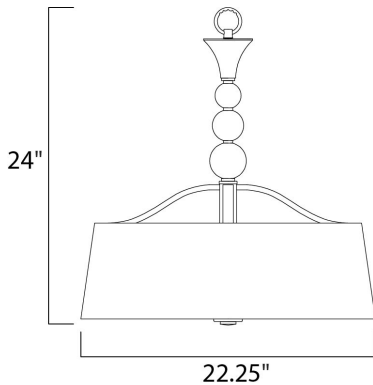




**PRODUCT DESCRIPTION**

Exemplary transitional styling, the Rondo collection takes a classic shaded design and updates it with contemporary finishes and delightful glass orb details. The sharpness of the Polished Nickel frame is softened with the use of round crystal glass balls. The White hardback fabric shades are fit with frosted diffusers so the light is even and soft while concealing the bulb.



**MEASUREMENTS**

DIMENSION : 22.25" L x 22.25" W x 24" H  
 MAX OAH : 62.5" OAH  
 HANGING WEIGHT : 9.61 lb

**LAMPING**

INPUT VOLTAGE : 120V  
 BULB : 4 x 60W Incandescent E26 Medium , 240W Total  
 BULB INCLUDED : (Not Included)  
 DIMMABLE : Yes

**FINISHES OPTION**

 Polished Nickel (PN)

**GLASS**

White WT

**MATERIAL**

Steel, Fabric, Glass, Acrylic

**RATINGS**

cULus  
 Dry Location



**ADDITIONAL**

OPERATING TEMPERATURE:  
 -20°C (-4°F), 40°C (104°F)

Always consult a qualified electrician before installing any lighting product.



WESTERN DISTRIBUTION CENTER (HEADQUARTER)  
 253 NORTH VINELAND AVE | CITY OF INDUSTRY, CA 91746

EASTERN DISTRIBUTION CENTER  
 101 GARDNER PARK | PEACHTREE CITY, GA 30269

P. 626.956.4200 | F. 626.956.4225 | maximlighting.com