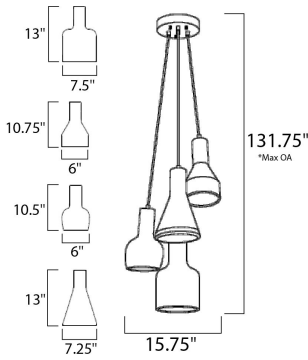




PRODUCT DESCRIPTION

Pendants molded in natural Gray finish concrete cement provide a unique urban contemporary design element Metal Polished Chrome hardware contrasts beautifully with the black fabric covered wire. Powerful and efficient illumination is provided by included GU10, 3000K LED bulbs.



*max overall height

MEASUREMENTS

DIMENSION : 15.75" L x 15.75" W x 12.75" H
 HANGING WEIGHT : 19.8 lb

LAMPING

INPUT VOLTAGE : 120V
 LUMENS : 1,120 Rated
 BULB : 4 x 5W LED GU10 MR16 , 20W Total
 BULB INCLUDED : (Included)
 DIMMABLE : Triac CL
 CRI : 80+ CRI
 COLOR_TEMP : 3000K

FINISHES OPTION

 Polished Chrome (PC)

MATERIAL

Concrete, Steel

RATINGS

Dry Location



ADDITIONAL

OPERATING TEMPERATURE:
 -20°C (-4°F), 40°C (104°F)

Always consult a qualified electrician before installing any lighting product.



WESTERN DISTRIBUTION CENTER (HEADQUARTER)
 253 NORTH VINELAND AVE | CITY OF INDUSTRY, CA 91746

EASTERN DISTRIBUTION CENTER
 101 GARDNER PARK | PEACHTREE CITY, GA 30269

P. 626.956.4200 | F. 626.956.4225 | maximlighting.com