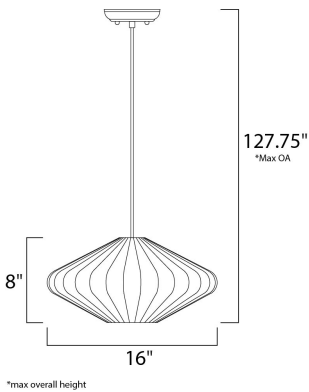




PRODUCT DESCRIPTION

A web of fiberglass is bonded together with latex and stretched over steel frames, creating a 50's contemporary design. When illuminated, the fiber shows through the soft fabric and adds texture to this unique look.



MEASUREMENTS

DIMENSION : 16" L x 16" W x 8" H
 MAX OAH : 127.75" OAH
 HANGING WEIGHT : 2.62 lb

LAMPING

INPUT VOLTAGE : 120V
 BULB : 1 x 60W Incandescent E26 Medium , 60W Total
 BULB INCLUDED : (Not Included)
 DIMMABLE : Yes

FINISHES OPTION

 Polished Chrome (PC)

MATERIAL

Steel, Imitation Silk

RATINGS

cETLus
 Dry Location



ADDITIONAL

SLOPE: 120
 OPERATING TEMPERATURE:
 -20°C (-4°F), 40°C (104°F)

Always consult a qualified electrician before installing any lighting product.



WESTERN DISTRIBUTION CENTER (HEADQUARTER)
 253 NORTH VINELAND AVE | CITY OF INDUSTRY, CA 91746

EASTERN DISTRIBUTION CENTER
 101 GARDNER PARK | PEACHTREE CITY, GA 30269

P. 626.956.4200 | F. 626.956.4225 | maximlighting.com