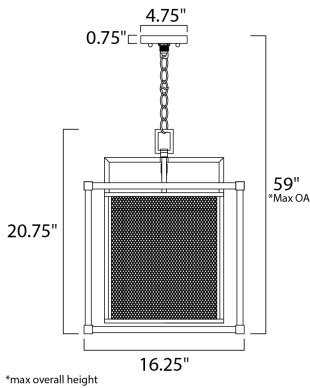




PRODUCT DESCRIPTION

Industrial meets contemporary in this striking collection. Metal mesh finished in a matte Black gives amazing contrast to the Polished Nickel frame. This refined design gives that element of uniqueness to any room decor.



MEASUREMENTS

- DIMENSION : 16.25" W x 20.75" H
- MAX OAH : 59" OAH
- CANOPY : 4.75" W x 0.75" H x 4.75" L
- HANGING WEIGHT : 14.11 lb

LAMPING

- INPUT VOLTAGE : 120V
- BULB : 4 x 60W Incandescent E26 Medium , 240W Total
- BULB INCLUDED : (Not Included)
- DIMMABLE : Yes

FINISHES OPTION

-  Black / Polished Nickel (BKPN)

MATERIAL

Steel

RATINGS

cULus
Dry Location



ADDITIONAL

ADJUSTABLE
SLOPE: 120
OPERATING TEMPERATURE:
-20°C (-4°F), 40°C (104°F)

Always consult a qualified electrician before installing any lighting product.



WESTERN DISTRIBUTION CENTER (HEADQUARTER)
253 NORTH VINELAND AVE | CITY OF INDUSTRY, CA 91746

EASTERN DISTRIBUTION CENTER
101 GARDNER PARK | PEACHTREE CITY, GA 30269

P. 626.956.4200 | F. 626.956.4225 | maximlighting.com