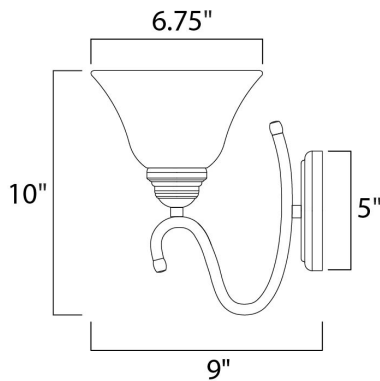




PRODUCT DESCRIPTION

Maxim Lighting's commitment to both the residential lighting and the home building industries will assure you a product line focused on your basic lighting needs. With the Newport collection you will find quality lighting that is well designed, well priced and readily available.



MEASUREMENTS

DIMENSION : 6.75" W x 10" H x 9" Ext
 MAX OAH : 5" W x 5" H
 HANGING WEIGHT : 2.2 lb

LAMPING

INPUT VOLTAGE : 120V
 BULB : 1 x 60W Incandescent E26 Medium , 60W Total
 BULB INCLUDED : (Not Included)
 DIMMABLE : Yes

FINISHES OPTION

 Satin Nickel (SN)

GLASS

Marble MR

MATERIAL

Steel

RATINGS

Damp Location



ADDITIONAL

INSTALL UP/DOWN: Up/Down
 OPERATING TEMPERATURE:
 -20°C (-4°F), 40°C (104°F)

Always consult a qualified electrician before installing any lighting product.