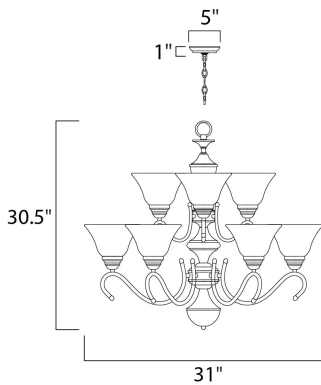




PRODUCT DESCRIPTION

Maxim Lighting's commitment to both the residential lighting and the home building industries will assure you a product line focused on your basic lighting needs. With the Newport collection you will find quality lighting that is well designed, well priced and readily available.



MEASUREMENTS

DIMENSION : 31" W x 30.5" H
 CANOPY : 5" W x 1" H x 5" L
 HANGING WEIGHT : 18.25 lb

LAMPING

INPUT VOLTAGE : 120V
 BULB : 9 x 100W Incandescent E26 Medium , 900W Total
 BULB INCLUDED : (Not Included)
 DIMMABLE : Standard

FINISHES OPTION

 Oil Rubbed Bronze
 Satin Nickel

GLASS

Marble MR

MATERIAL

Iron

RATINGS

Dry Location



ADDITIONAL

OPERATING TEMPERATURE:
 -20°C (-4°F), 40°C (104°F)

Always consult a qualified electrician before installing any lighting product.

MAXIM[®]
 L I G H T I N G

WESTERN DISTRIBUTION CENTER (HEADQUARTER)
 253 NORTH VINELAND AVE | CITY OF INDUSTRY, CA 91746

EASTERN DISTRIBUTION CENTER
 4200 SHIRLEY DR. | ATLANTA, GA 30336

P. 626.956.4200 | F. 626.956.4225 | maximlighting.com