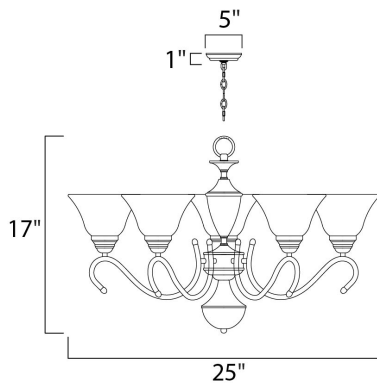




PRODUCT DESCRIPTION

Maxim Lighting's commitment to both the residential lighting and the home building industries will assure you a product line focused on your basic lighting needs. With the Newport collection you will find quality lighting that is well designed, well priced and readily available.



MEASUREMENTS

DIMENSION : 25" L x 25" W x 17" H
HANGING WEIGHT : 9.77 lb

LAMPING

INPUT VOLTAGE : 120V
BULB : 5 x 60W Incandescent E26 Medium , 300W Total
BULB INCLUDED : (Not Included)
DIMMABLE : Yes

FINISHES OPTION

 Satin Nickel (SN)

GLASS

Marble MR

MATERIAL

Steel

RATINGS

cETLus
Dry Location



ADDITIONAL

ADJUSTABLE
OPERATING TEMPERATURE:
-20°C (-4°F), 40°C (104°F)

Always consult a qualified electrician before installing any lighting product.