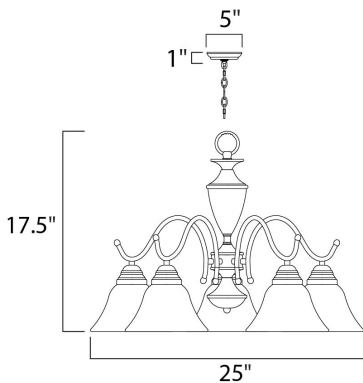




#### PRODUCT DESCRIPTION

Maxim Lighting's commitment to both the residential lighting and the home building industries will assure you a product line focused on your basic lighting needs. With the Newport collection you will find quality lighting that is well designed, well priced and readily available.



#### MEASUREMENTS

DIMENSION : 25" L x 25" W x 17.5" H  
 HANGING WEIGHT : 10.23 lb

#### LAMPING

INPUT VOLTAGE : 120V  
 BULB : 5 x 60W Incandescent E26 Medium , 300W Total  
 BULB INCLUDED : (Not Included)  
 DIMMABLE : Yes

#### FINISHES OPTION

 Satin Nickel (SN)

#### GLASS

Marble MR

#### MATERIAL

Steel

#### RATINGS

cETLus  
 Dry Location



#### ADDITIONAL

ADJUSTABLE  
 OPERATING TEMPERATURE:  
 -20°C (-4°F), 40°C (104°F)

Always consult a qualified electrician before installing any lighting product.