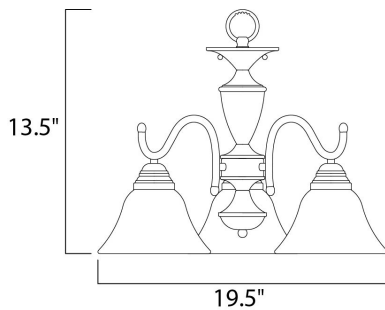




PRODUCT DESCRIPTION

Maxim Lighting's commitment to both the residential lighting and the home building industries will assure you a product line focused on your basic lighting needs. With the Newport collection you will find quality lighting that is well designed, well priced and readily available.



MEASUREMENTS

DIMENSION : 19.5" W x 13.5" H
HANGING WEIGHT : 6.13 lb

LAMPING

INPUT VOLTAGE : 120V
BULB : 3 x 60W Incandescent E26 Medium , 180W Total
BULB INCLUDED : (Not Included)
DIMMABLE : Yes

FINISHES OPTION

 Satin Nickel (SN)

GLASS

Marble MR

MATERIAL

Steel

RATINGS

cETLus
Dry Location



ADDITIONAL

OPERATING TEMPERATURE:
-20°C (-4°F), 40°C (104°F)

Always consult a qualified electrician before installing any lighting product.