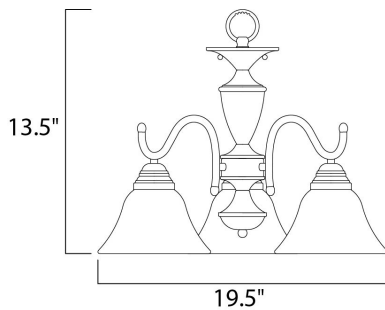




#### PRODUCT DESCRIPTION

Maxim Lighting's commitment to both the residential lighting and the home building industries will assure you a product line focused on your basic lighting needs. With the Newport collection you will find quality lighting that is well designed, well priced and readily available.



#### MEASUREMENTS

DIMENSION : 19.5" L x 19.5" W x 13.5" H  
 HANGING WEIGHT : 6.13 lb

#### LAMPING

INPUT VOLTAGE : 120V  
 BULB : 3 x 100W Incandescent E26 Medium , 300W Total  
 BULB INCLUDED : (Not Included)  
 DIMMABLE : Yes

#### FINISHES OPTION

 Oil Rubbed Bronze  
 Satin Nickel

#### GLASS

Marble MR

#### MATERIAL

Iron

#### RATINGS

cETLus  
 Dry Location



#### ADDITIONAL

ADJUSTABLE  
 OPERATING TEMPERATURE:  
 -20°C (-4°F), 40°C (104°F)

Always consult a qualified electrician before installing any lighting product.

**MAXIM**<sup>®</sup>  
 L I G H T I N G

**WESTERN DISTRIBUTION CENTER (HEADQUARTER)**  
 253 NORTH VINELAND AVE | CITY OF INDUSTRY, CA 91746

**EASTERN DISTRIBUTION CENTER**  
 4200 SHIRLEY DR. | ATLANTA, GA 30336

P. 626.956.4200 | F. 626.956.4225 | maximlighting.com