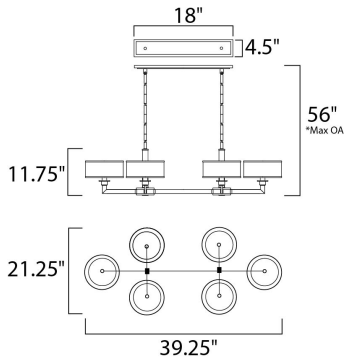




PRODUCT DESCRIPTION

The Nexus collection is the true standard for contemporary lighting. The flat rectangular tube arm forms to a perfect angle and comes finished in choice of Satin Nickel or Oil Rubbed Bronze. The White fabric drum shade is trimmed with metal rings in matching finish for a clean, tailored look.



*max overall height

MEASUREMENTS

- DIMENSION : 39.25" L x 21.25" W x 11.75" H
- MAX OAH : 56" OAH
- CANOPY : 4.33" W x 0.79" H x 18" L
- HANGING WEIGHT : 17.38 lb

LAMPING

- INPUT VOLTAGE : 120V
- BULB : 6 x 60W Incandescent E12 Candelabra , 360W Total
- BULB INCLUDED : (Not Included)
- DIMMABLE : Yes

FINISHES OPTION

- Oil Rubbed Bronze (OI)
- Satin Nickel (SN)

MATERIAL

Steel, Fabric

RATINGS

cETLus
Dry Location



ADDITIONAL

ADJUSTABLE
OPERATING TEMPERATURE:
-20°C (-4°F), 40°C (104°F)

Always consult a qualified electrician before installing any lighting product.



WESTERN DISTRIBUTION CENTER (HEADQUARTER)
253 NORTH VINELAND AVE | CITY OF INDUSTRY, CA 91746

EASTERN DISTRIBUTION CENTER
101 GARDNER PARK | PEACHTREE CITY, GA 30269

P. 626.956.4200 | F. 626.956.4225 | maximlighting.com