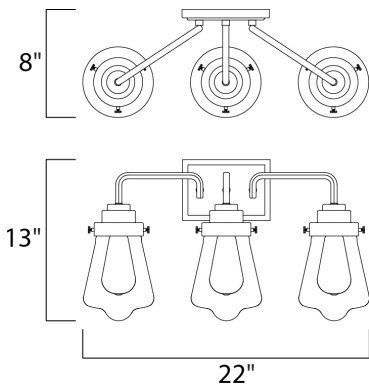




**PRODUCT DESCRIPTION**

A rustic styled frame of Weathered Zinc finish supports Clear lantern shaped glass. This transitional look spans several style genres from nautical to vintage.



**MEASUREMENTS**

DIMENSION : 22" W x 13" H x 8" Ext  
 BACK PLATE : 4.5" W x 6.5" H x 3.5" HCO  
 HANGING WEIGHT : 5.18 lb

**LAMPING**

INPUT VOLTAGE : 120V  
 BULB : 3 x 60W Incandescent E26 Medium , 180W Total  
 BULB INCLUDED : (Not Included)  
 DIMMABLE : Yes

**FINISHES OPTION**

 Weathered Zinc (WZ)

**GLASS**

Clear CL

**MATERIAL**

Steel, Glass

**RATINGS**

cETLus  
 Damp Location



**ADDITIONAL**

INSTALL UP/DOWN: Down  
 OPERATING TEMPERATURE:  
 -20°C (-4°F), 40°C (104°F)

Always consult a qualified electrician before installing any lighting product.



WESTERN DISTRIBUTION CENTER (HEADQUARTER)  
 253 NORTH VINELAND AVE | CITY OF INDUSTRY, CA 91746

EASTERN DISTRIBUTION CENTER  
 101 GARDNER PARK | PEACHTREE CITY, GA 30269

P. 626.956.4200 | F. 626.956.4225 | maximlighting.com