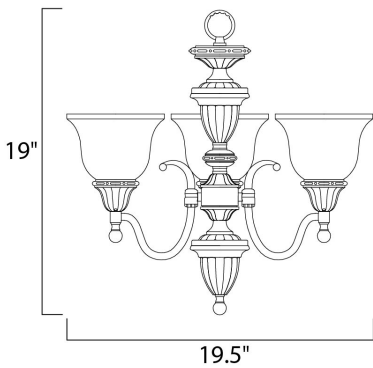




PRODUCT DESCRIPTION

A beautifully styled collection offered in Satin Nickel or our popular Oil Rubbed Bronze finish.



MEASUREMENTS

DIMENSION : 19.5" W x 16.75" H
 HANGING WEIGHT : 10.38 lb

LAMPING

INPUT VOLTAGE : 120V
 BULB : 3 x 100W Incandescent E26 Medium , 300W Total
 BULB INCLUDED : (Not Included)
 DIMMABLE : Standard

FINISHES OPTION

 Satin Nickel

GLASS

Soft Vanilla SV

MATERIAL

Iron

RATINGS

Dry Location



ADDITIONAL

OPERATING TEMPERATURE:
 -20°C (-4°F), 40°C (104°F)

Always consult a qualified electrician before installing any lighting product.



WESTERN DISTRIBUTION CENTER (HEADQUARTER)
 253 NORTH VINELAND AVE | CITY OF INDUSTRY, CA 91746

EASTERN DISTRIBUTION CENTER
 4200 SHIRLEY DR. | ATLANTA, GA 30336

P. 626.956.4200 | F. 626.956.4225 | maximlighting.com