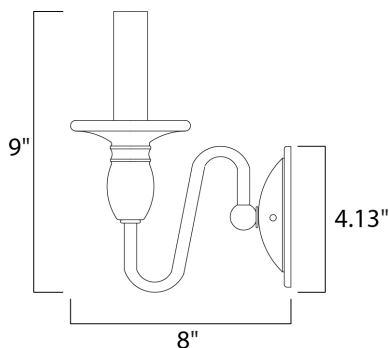




PRODUCT DESCRIPTION

This unique collection offers candelabra styling with the decorative flexibility of a chandelier. Finished Oil Rubbed Bronze or Satin Nickel.



MEASUREMENTS

DIMENSION : 4.5" W x 9" H x 8" Ext
 MAX OAH : 4.13" W x 4.13" H
 HANGING WEIGHT : 1.12 lb

LAMPING

INPUT VOLTAGE : 120V
 BULB : 1 x 60W Incandescent E12 Candelabra , 60W Total
 BULB INCLUDED : (Not Included)
 DIMMABLE : Yes
 LIGHTING_DIRECTION : Up

FINISHES OPTION

 Oil Rubbed Bronze (OI)

MATERIAL

Steel

RATINGS

cETLus
 Damp Location



ADDITIONAL

INSTALL UP/DOWN: Up
 OPERATING TEMPERATURE:
 -20°C (-4°F), 40°C (104°F)

Always consult a qualified electrician before installing any lighting product.



WESTERN DISTRIBUTION CENTER (HEADQUARTER)
 253 NORTH VINELAND AVE | CITY OF INDUSTRY, CA 91746

EASTERN DISTRIBUTION CENTER
 101 GARDNER PARK | PEACHTREE CITY, GA 30269

P. 626.956.4200 | F. 626.956.4225 | maximlighting.com