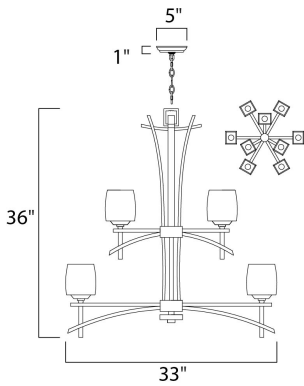




**PRODUCT DESCRIPTION**

Influenced by Far Eastern design, this series features square tube metal work finished in Roasted Chestnut. The soft square Wilshire glass blends well with the roving curves of the body design.



**MEASUREMENTS**

- DIMENSION : 33" W x 36" H
- CANOPY : 5" W x 1" H x 5" L
- HANGING WEIGHT : 23.15 lb

**LAMPING**

- INPUT VOLTAGE : 120V
- BULB : 9 x 60W Incandescent E26 Medium , 540W Total
- BULB INCLUDED : (Not Included)
- DIMMABLE : Standard

**FINISHES OPTION**

- Roasted Chestnut

**GLASS**

Wilshire WS

**MATERIAL**

Steel

**RATINGS**

Dry Location



**ADDITIONAL**

OPERATING TEMPERATURE:  
-20°C (-4°F), 40°C (104°F)

Always consult a qualified electrician before installing any lighting product.



**WESTERN DISTRIBUTION CENTER (HEADQUARTER)**  
253 NORTH VINELAND AVE | CITY OF INDUSTRY, CA 91746

**EASTERN DISTRIBUTION CENTER**  
4200 SHIRLEY DR. | ATLANTA, GA 30336

P. 626.956.4200 | F. 626.956.4225 | maximlighting.com