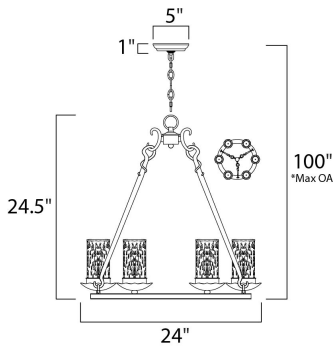




**PRODUCT DESCRIPTION**

The hand crafted nature of this series is evident in the support rods which are masterfully forged twists finished in our Oiled Bronze finish. The Wilshire candle shades add an authentic touch to this look.



\*max overall height

**MEASUREMENTS**

- DIMENSION : 24" L x 24" W x 24.5" H
- MAX OAH : 100" OAH
- CANOPY : 5" W x 1" H x 5" L
- HANGING WEIGHT : 15.88 lb

**LAMPING**

- INPUT VOLTAGE : 120V
- BULB : 6 x 60W Incandescent E12 Candelabra , 360W Total
- BULB INCLUDED : (Not Included)
- DIMMABLE : Yes

**FINISHES OPTION**

- Oil Rubbed Bronze (OI)

**GLASS**

Wilshire WS

**MATERIAL**

Steel

**RATINGS**

cETLus  
Dry Location



**ADDITIONAL**

ADJUSTABLE  
OPERATING TEMPERATURE:  
-20°C (-4°F), 40°C (104°F)

Always consult a qualified electrician before installing any lighting product.



WESTERN DISTRIBUTION CENTER (HEADQUARTER)  
253 NORTH VINELAND AVE | CITY OF INDUSTRY, CA 91746

EASTERN DISTRIBUTION CENTER  
101 GARDNER PARK | PEACHTREE CITY, GA 30269

P. 626.956.4200 | F. 626.956.4225 | maximlighting.com