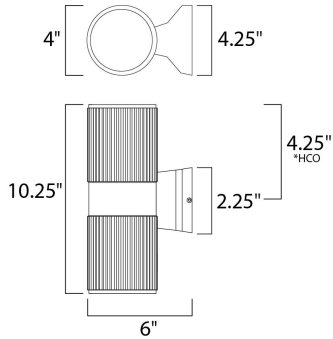


PRODUCT DESCRIPTION

Indirect exterior lighting not only provides illumination where you want it but also highlights the building structure for a beautiful architectural effect. Our collection of up and down lighting fixtures are available in both Architectural Bronze and Brushed Aluminum. They are also available in both Incandescent and LED. The fixtures are sealed with screw lenses that are water tight and allows, for the use of standard light bulbs.



*height from center of outlet to the top of the fixture

MEASUREMENTS

DIMENSION : 4" W x 10.25" H x 6" Ext
 BACK PLATE : 4.25" W x 2.25" H x 4.25" HCO
 HANGING WEIGHT : 2.93 lb

LAMPING

INPUT VOLTAGE : 120V
 BULB : 2 x 50W Incandescent E26 Medium , 100W Total
 BULB INCLUDED : (Not Included)
 DIMMABLE : Yes
 LIGHTING_DIRECTION : Up/Down

FINISHES OPTION

-  Architectural Bronze (ABZ)
-  Brushed Aluminum (AL)

MATERIAL

Aluminum

RATINGS

cETLus
 Wet Location



ADDITIONAL

INSTALL UP/DOWN: All
 OPERATING TEMPERATURE:
 -20°C (-4°F), 40°C (104°F)

Always consult a qualified electrician before installing any lighting product.



WESTERN DISTRIBUTION CENTER (HEADQUARTER)
 253 NORTH VINELAND AVE | CITY OF INDUSTRY, CA 91746

EASTERN DISTRIBUTION CENTER
 101 GARDNER PARK | PEACHTREE CITY, GA 30269

P. 626.956.4200 | F. 626.956.4225 | maximlighting.com