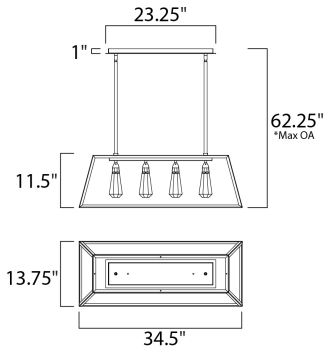




PRODUCT DESCRIPTION

Minimalistic metal forms in Textured Black beautifully Frame Beveled Crystal pendants. The Crystals come to life when illuminated by LED concealed in the supporting cast cups. A perfect combination of simplicity and elegance.



*max overall height

MEASUREMENTS

DIMENSION : 34.5" L x 13.75" W x 11.5" H
 MAX OAH : 62.25" OAH
 CANOPY : 6" W x 1" H x 23.25" L
 HANGING WEIGHT : 26.4 lb

LAMPING

INPUT VOLTAGE : 120V
 LUMENS : 840 Rated
 BULB : 4 x 3W LED PCB Integrated , 12W Total
 BULB INCLUDED : (Integrated)
 DIMMABLE : Triac CL
 CRI : 80+ CRI
 COLOR_TEMP : 3000K

FINISHES OPTION

Textured Black (TXB)

GLASS

Beveled Crystal BC

MATERIAL

Steel, Zinc Steel Alloy, Crystal

RATINGS

cETLus
 Dry Location



ADDITIONAL

ADJUSTABLE
 OPERATING TEMPERATURE:
 -20°C (-4°F), 40°C (104°F)

Always consult a qualified electrician before installing any lighting product.



WESTERN DISTRIBUTION CENTER (HEADQUARTER)
 253 NORTH VINELAND AVE | CITY OF INDUSTRY, CA 91746

EASTERN DISTRIBUTION CENTER
 101 GARDNER PARK | PEACHTREE CITY, GA 30269

P. 626.956.4200 | F. 626.956.4225 | maximlighting.com