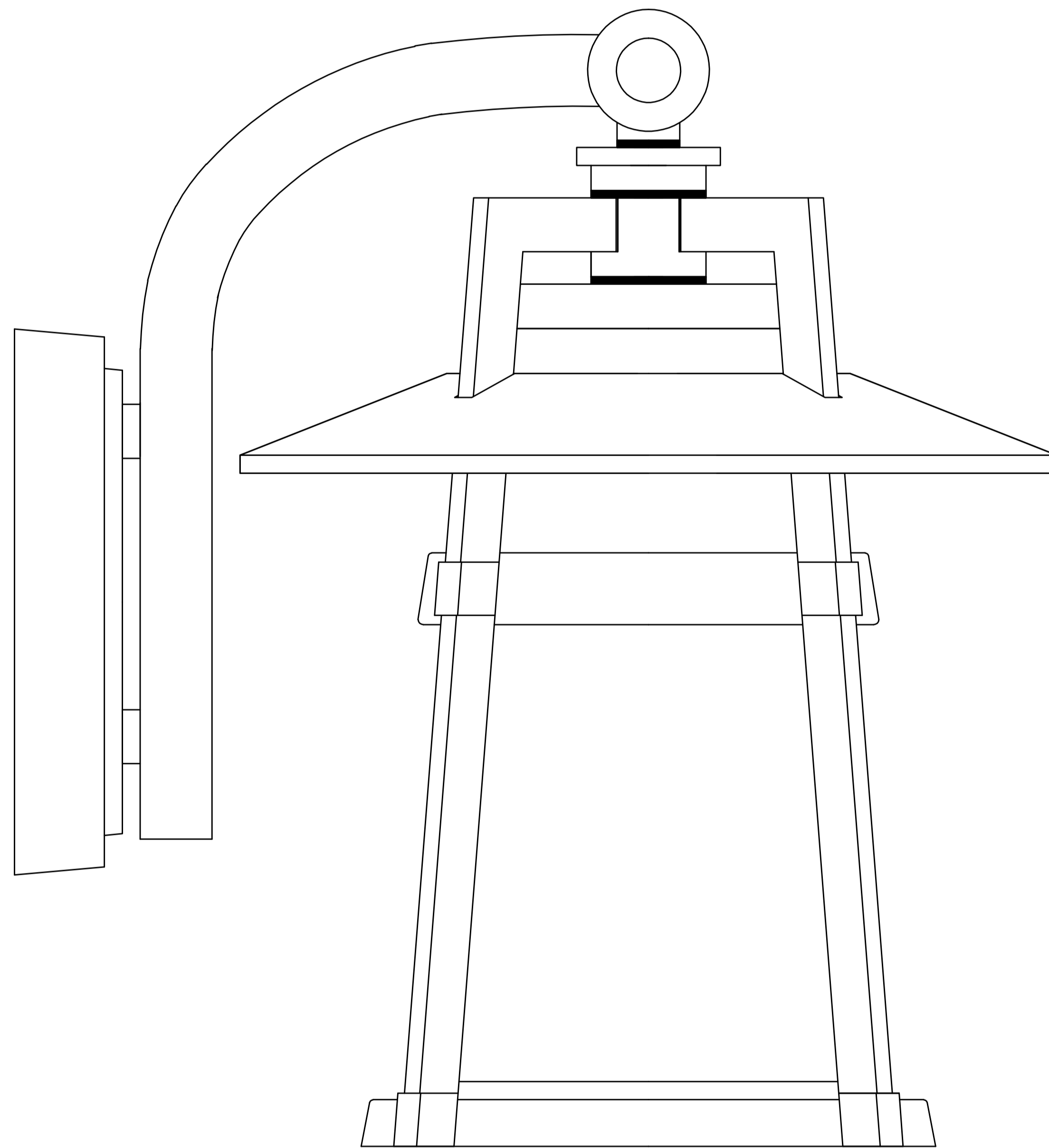




PRODUCT NAME: Calistoga
ITEM NUMBER: 88532 /88534

Please consult your electrician for hanging fixture and wiring.



To prevent water intrusion, caulk around back-plate where fixture meets the wall using outdoor silicone sealant

This fixture is designed to dim with an Electronic Low Voltage dimmer. Dimming levels will vary by dimmer. Below is a list of Recommended Dimmers:

- Lutron MACL-153M
- Leviton IPL06-10Z

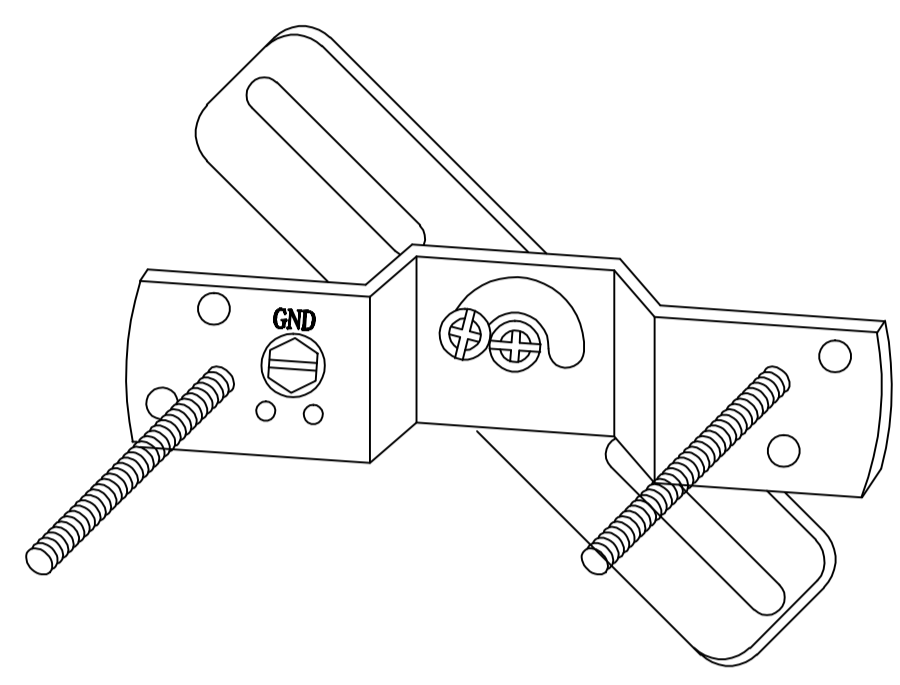
Due to inrush current, wattage should not exceed 150 Watts of product for a 600 Watt dimmer.

4.5W LED

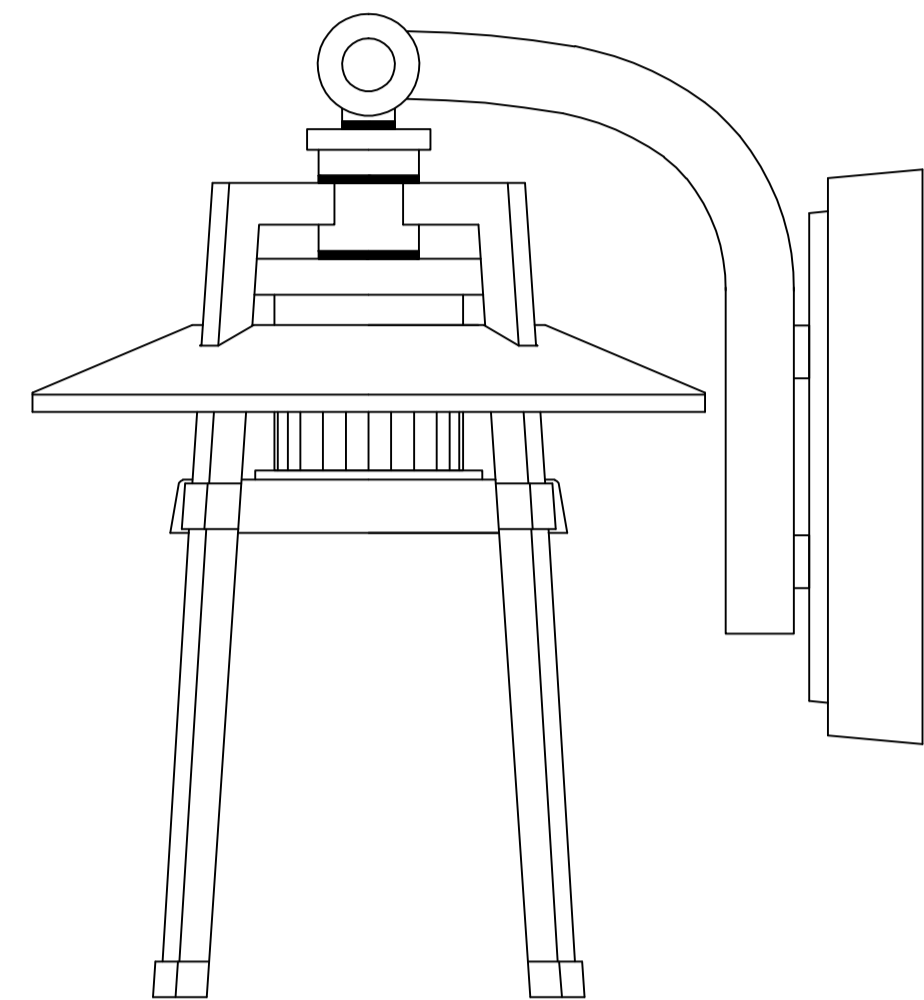


PRODUCT NAME: Calistoga
 ITEM NUMBER: 88532 /88534

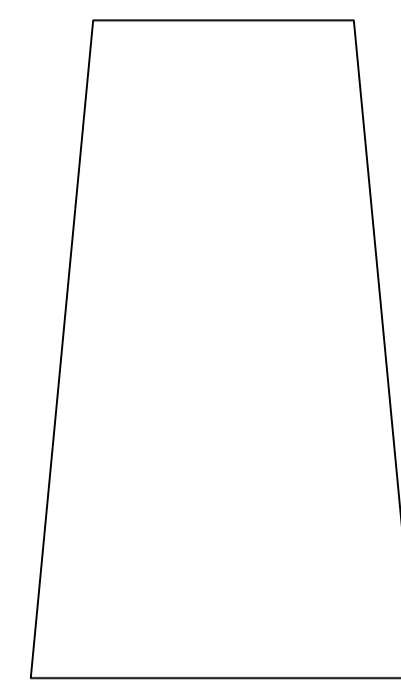
IMPORTANT: Turn off the power at the main fuse or circuit breaker box before starting installation.



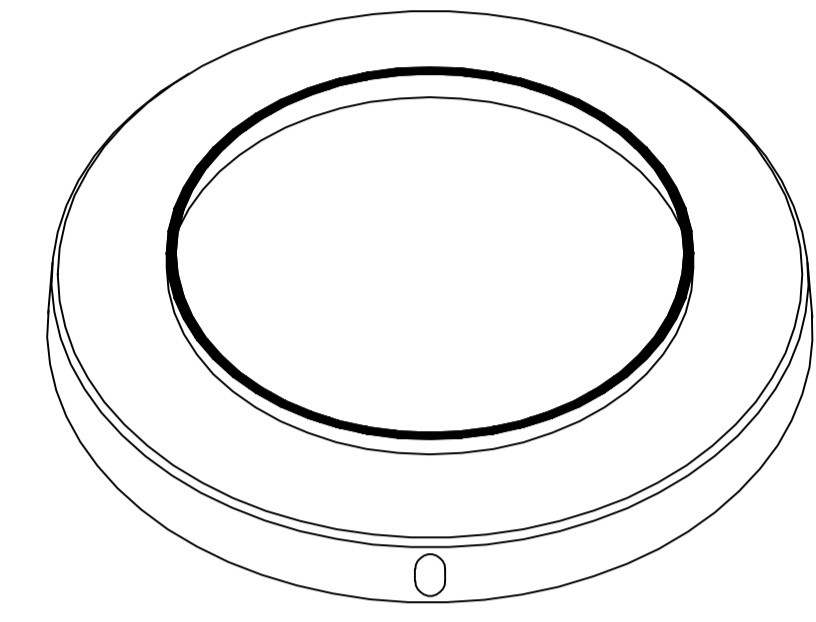
Bracket (A)



Fixture (B)

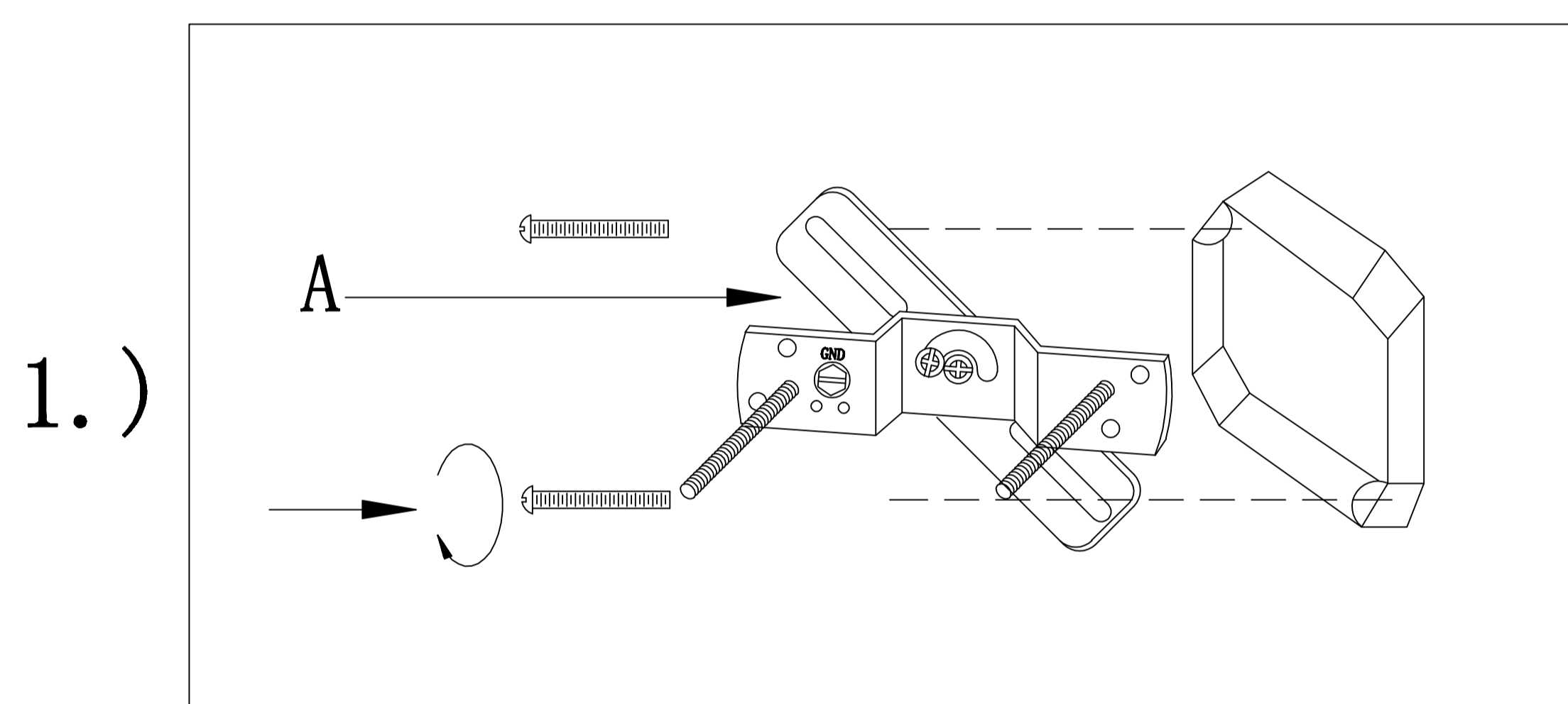


Glass (C)



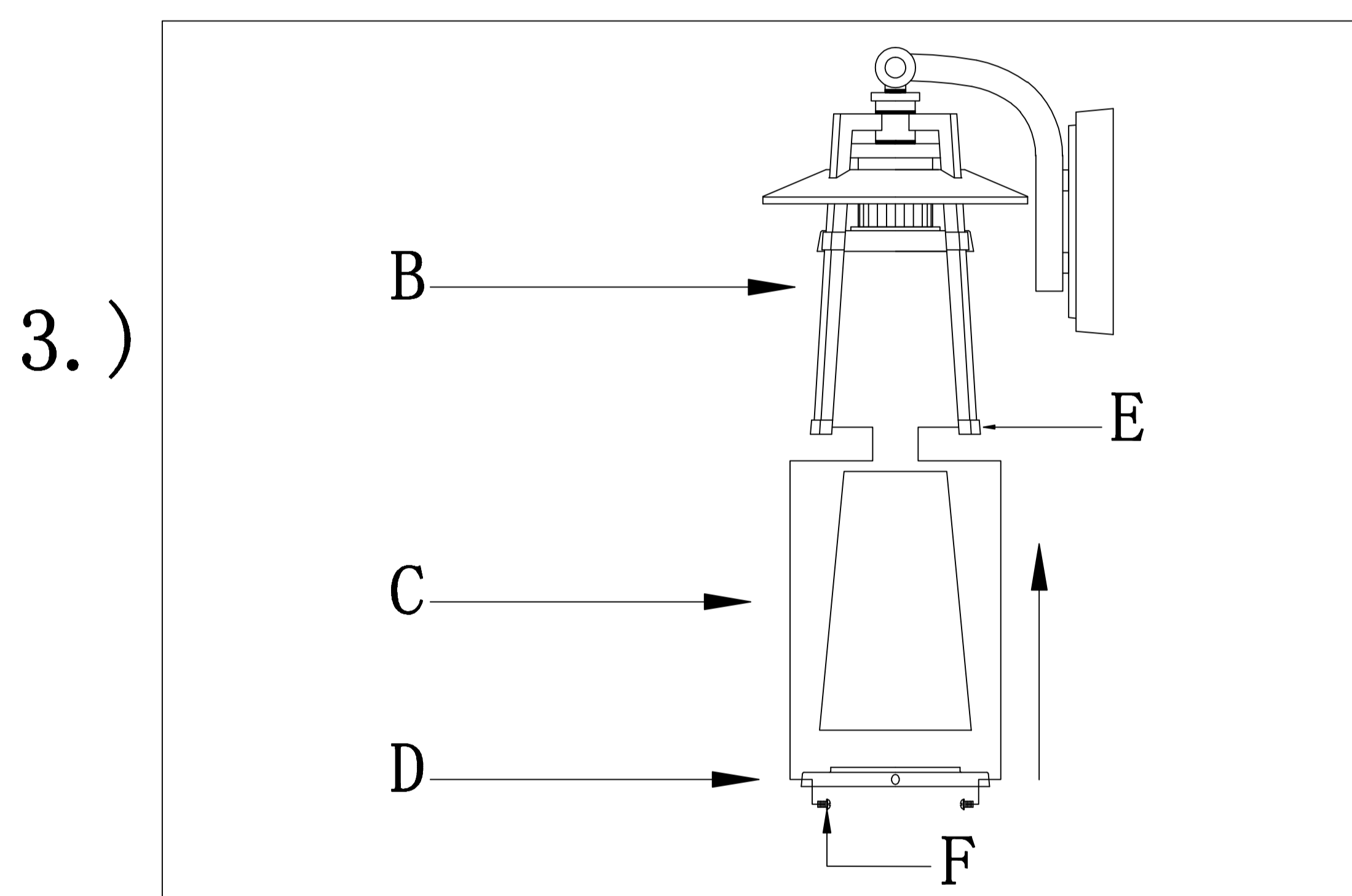
Bottom Plate (D)

Locate all hardware & components before discarding packaging



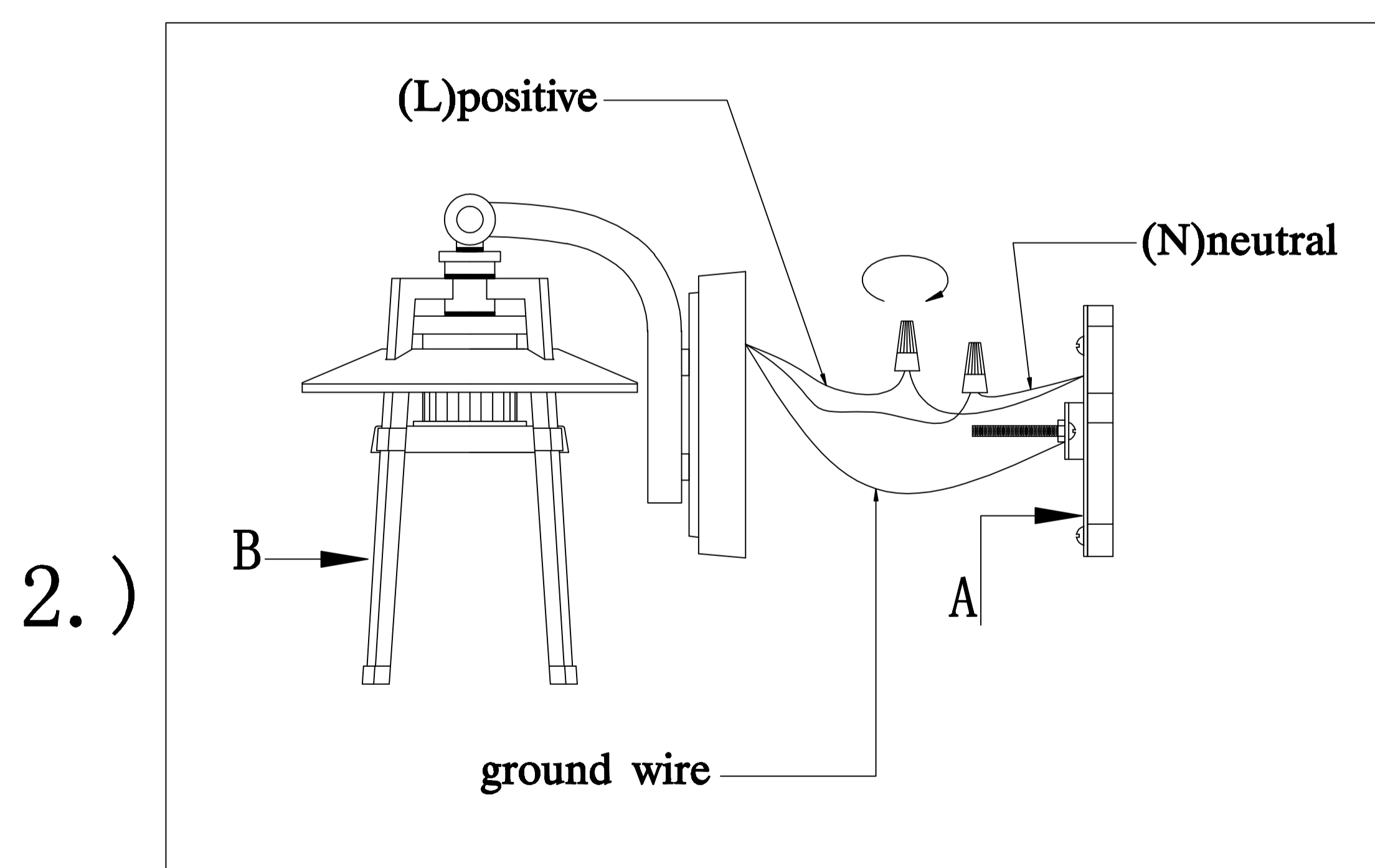
1.)

Step.1: Remove mounting bracket from fixture(B) and install to electrical box. then wire fixture to wires in outlet box. Copper wire is for Ground.



3.)

Step.3: Attach glass(C) and secure using bottom plate(D) to the fixture using screws(F) at point(E).



2.)

Step.2: Attach back plate to mounting bracket and tighten ball nuts so fixture meets wall. Caulk fixture where back plate meets the wall with silicone sealant.

Cleaning & Care:
 Clean with soft cloth and a mild detergent.
 DO not use abrasive cleaner.