



25 YEARS LIMITED WARRANTY

Maxim Lighting International warrants the CounterMax™ MX-L LED under cabinet lighting 87902WT/SA/MB, 87904WT/SA/MB, and 87906WT/SA/MB under normal use for 25 years while the original purchaser owns it. Normal use means residential non-commercial use for no more than 6 hours per day in an environment that does not exceed 77°F. Maxim Lighting International will repair or replace at their option any MX-L product deemed to be defective due to manufacturing defects. Maxim Lighting International will not be liable for the loss or damage of any kind, incidental or consequential damages of any kind, whether based on warranty, contractor negligence, and arising in connection with sale, use, or repair of the product claimed to be defective. Some states do not allow the exclusion or limitation of incidental or consequential damages so; the above limitations may not apply to you. This warranty gives you specific legal rights and you may also have other rights which vary from state to state. Misuse, accident, improper installation or maintenance will void the warranty.

MANUFACTURED IN CHINA
FABRICADO EN CHINA

Maxim Lighting International 253 N. Vineland Ave., City of Industry, CA 91746

In the event you have received goods with broken, missing or malfunctioning part, due to shipping or manufacturing, call Maxim Lighting's hotline.

En caso de haber recibido bienes con piezas rotas, faltantes o de funcionamiento de defectuoso, debido a transporte o fabricación, llame a Maxim Lighting al teléfono.

800-486-2946

GARANTÍA LIMITADA DE 25 AÑOS

Maxim Lighting International garantiza de CounterMax™ MX-L LED Luz de gabinete Modelo: 87902WT/SA/MB, 87904WT/SA/MB y 87906WT/SA/MB bajo uso normal por 25 años. Mientras el comprador original siga dueño del producto. Uso normal significa residencial no comercial, usando el producto no más de 6 horas por día en un sitio que no exida 77 ° F. Maxim Lighting International Reparará o reemplazará cualquier producto MX-L si esta defectuoso por culpa del debido fabricante. Maxim Lighting International no se responsabiliza por la pérdida o el daño ningún tipo. Ya sea que se base en o la reparación del producto que se reclama como defectuoso. Algunos estados no permiten la exclusión o limitación de daños incidentales o indirectos por lo que tal ves la limitación anteriormente mencionada no se aplicó a usted. El uso, indebido, accidente, instalación o mantenimiento indebidos invalidara también la garantía.

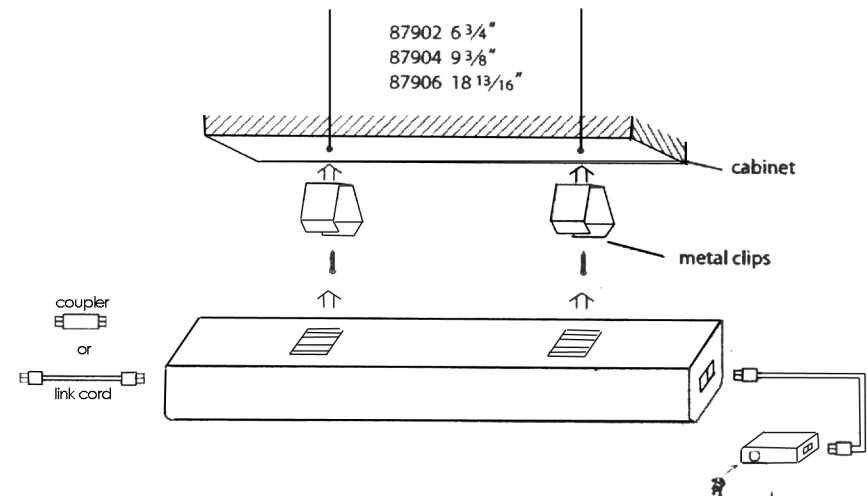
⚠ WARNING

RISK OF ELECTRIC SHOCK

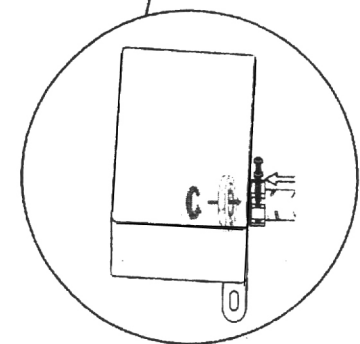
- Do not use in wet locations.
- Use indoors only.
- Turn power off before servicing - see instructions.
- Ensure that no bare wires are exposed outside the electrical connections.

INSTALLATION PROCEDURES

1. Locate desired position of the bar light; secure the provided metal clips to the cabinet with provided screws.
Note: Please measure the distance between the two holes at the back of the bar light when securing the screw.
2. Push the bar light with the back facing the metal clips until they are fully clipped into the hole at the back of the light fixture.
3. Maximum 50 LED diodes can be linked in one run.



COUNTERMAX™



Model

87902WT
87902SA
87902MB
87904WT
87904SA
87904MB
87906WT
87906SA
87906MB



Maxim Lighting, 253 N. Vineland Ave. City of Industry, CA 91746
Tel: 1-800-486-2946 Fax: 1-800-486-7337 www.maximlighting.com

Assembly and installation instructions - Important! general instructions - read this page first

- 1) Read and understand all instructions completely, both front and back before proceeding with assembly and installation of this fixture.
- 2) If you have doubts about how to install a lighting fixture, or if fixture fails to operate correctly, please contact a local qualified licensed electrical contractor.
- 3) Before you start:
 - a) NEVER attempt to do any work without shutting off the electricity until the work is done. Go to the main fuse box in your home. Place main power switch in "off" position.
 - b) Unscrew the fuses that control the power to the fixture or room that you are working on.
 - c) Turn fixture to be replaced off! Place wall switch in off position.
- 4) All parts must be used as indicated in the assembly/installation instructions. Do not substitute any other parts, leave any parts out, or use any parts which are worn out or broken. Failure to obey this instruction could invalidate the ETL listing.
- 5) If parts need to be replaced, use only authorized replacement parts.
- 6) Keep this sheet in a safe place and review it before doing any work on the fixture.

The hand-crafted beauty of this fixture is the result of tasteful design, experienced engineering, careful craftsmanship and a dedication to customer satisfaction.

- Be certain electric current is turned off before cleaning.
- Clean metal components with a soft cloth, moistened with a mild liquid soap solution. wipe clean and buff with a very soft, dry cloth.

Instrucciones de Instalación y Ensamblaje - Importante! instrucciones generales - lea esta pagina primero

- 1) Lea i comprenda todas las instrucciones completo, los dos en frente y atrás antes de proceder ensamble de Luz de gabinete.
- 2) Si tiene dudas de cómo se ensambla el producto, o si el producto no funciona correcto, por favor póngase en contacto con un electricista licenciado.
- 3) Antes de comenzar:
 - a) nunca intente Aserr algún trabajo sin antes apagar la electricidad antes de terminar el trabajo.
 - b) Valla ala caja de fusible en su casa.
 - c) Ponga el fusible principal en la posición "off " Apagado.
- 4) Todas las partes se tienen que usar indicadamente en el ensamble/ Instrucciones de Instalación. No sustituya ninguna parte, deje ninguna partes sueltas, o utilice ninguna parte q este desecha o quebrada. Falla a obedecer estas instrucciones invalida el ETL listing.
- 5) Si ahí partes q se necesitan remplazar, use remplazo autorizado solamente.
- 6) mantenga esta hoja en un lugar seguro, revise antes de instalar el producto.

- asegúrese que la electricidad este apagado antes te limpiar
- limpie producto de metal con un trapo suave, mojado con una solución de jabón de liquido. Limpie con un trapo bien suave y seco. Bajo ninguna circunstancias el uso de brillo se utiliza, por el material q es usado en el brillo puede causar daño al producto.