

DECORATIVE FLUORESCENT CEILING FIXTURE ASSEMBLY & INSTALLATION INSTRUCTIONS

Please read carefully and save this instruction sheet, as you may need them at a later date.

NOTE: Ballast replaceable by use of a qualified electrician only.

CAUTION

Turn off the main power at the circuit breaker before installing the fixture, in order to prevent possible shock.

GENERAL

All electrical connections must be in accordance with local and national electrical code (N.E.C) standards. If you are unfamiliar with proper electrical wiring connections obtain the services of a qualified electrician.

Remove the fixture and the mounting package from the box and make sure that no parts are missing by referencing the illustrations on the installation instruction.

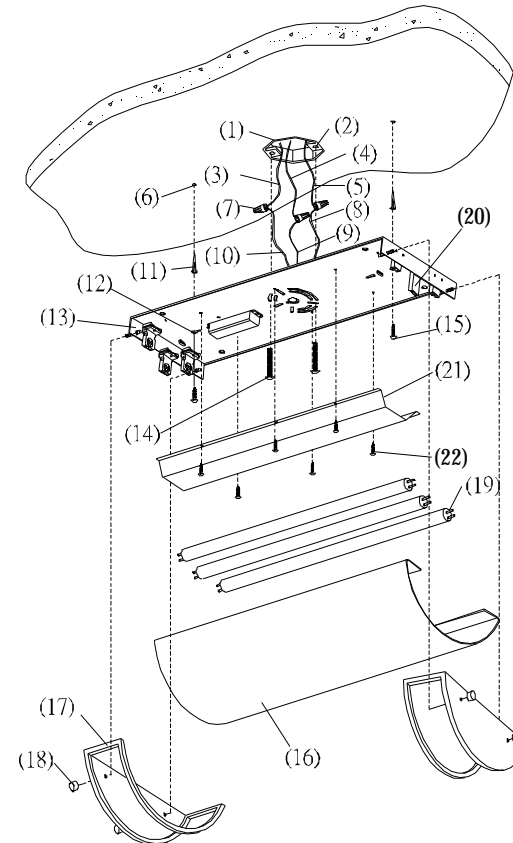
ASSEMBLY AND INSTALLATION

1. Turn off the power.
2. Remove the two DECORATIVE NUTS (18) from one of the END CAP (17). Remove the END CAP (17) and the ACRYLIC LENS (16) from the FIXTURE BODY (13).
3. Pull the SUPPLY WIRES (3) & (5) and HOUSE GROUND WIRE (4) out from the OUTLET BOX (1).
4. Loosen the WIRE COVER SCREW (22) from the WIRE COVER (21) and take the WIRE COVER (21) out from the FIXTURE BODY (13).
5. Position your fixture over the OUTLET BOX (1). Mark the location of the two KEYHOLE SLOTS (12) located on the FIXTURE BODY (13). Be sure to mark only the narrow parts of the KEYHOLE SLOTS (12). Remove the FIXTURE BODY (13) from the ceiling. Drill the two holes using the appropriately sized drill bit. Insert the provided CEILING ANCHORS (11) into the holes.
6. Make the wiring connections: connect the HOUSE GROUND WIRE (4) to the FIXTURE GROUND WIRE (9) using WIRE CONNECTOR (NOT PROVIDED); connect the WHITE SUPPLY WIRE (3) to the WHITE FIXTURE WIRE (10); connect BLACK SUPPLY WIRE (5) to the BLACK FIXTURE WIRE (8) using WIRE CONNECTORS (7). Carefully tuck all wires back into the OUTLET BOX (1).
7. Reposition your fixture over the OUTLET BOX (1). Feed the two MOUNTING SCREWS (14)

through the holes located on the center of the FIXTURE BODY (13). Tighten the MOUNTING SCREWS (14) into the threaded holes on the OUTLET BOX (1).

8. Feed the two ANCHOR SCREWS (15) through the narrow part of the KEYHOLE SLOTS (12). Tighten the ANCHOR SCREWS (15) into the CEILING ANCHORS (11) until the FIXTURE BODY (13) is flush with the ceiling.
9. Put the WIRE COVER (21) back to the FIXTURE BODY (13) and secure it by using six WIRE COVER SCREWS (22).
10. Install the FLUORESCENT TUBE LAMP (19) into the FLUORESCENT SOCKET (20). Please follow the wattage label located on the fixture body. Do not exceed the recommend wattage.
11. Place the ACRYLIC LENS (16) over the FIXTURE BODY (13). Replace the END CAP (17) onto the FIXTURE BODY (13), and secure it using the two DECORATIVE NUTS (18).

INSTALLATION IS NOW COMPLETED.



1. OUTLET BOX
2. MOUNTING HOLE
3. WHITE SUPPLY WIRE
4. HOUSE GROUND WIRE
5. BLACK SUPPLY WIRE
6. DRILLED HOLE
7. WIRE CONNECTOR
8. BLACK FIXTURE WIRE
9. FIXTURE GROUND WIRE
10. WHITE FIXTURE WIRE
11. CEILING ANCHOR
12. KEYHOLE SLOT
13. FIXTURE BODY
14. MOUNTING SCREW
15. ANCHOR SCREW
16. ACRYLIC LENS
17. END CAP
18. DECORATIVE NUT
19. FLUORESCENT TUBE LAMP
20. FLUORESENT SOCKET
21. WIRE COVER
22. WIRE COVER SCREW

RKS234 C