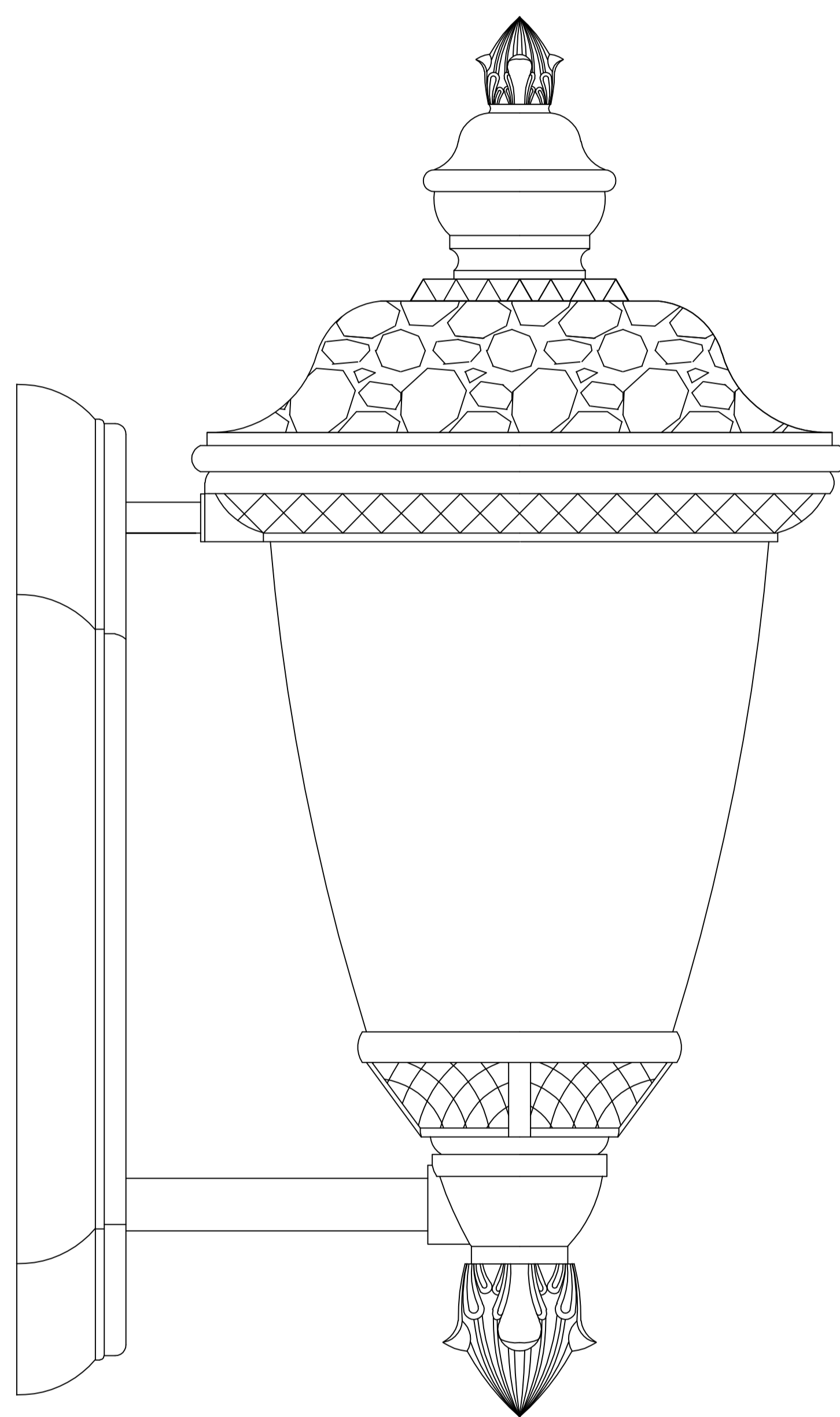




PRODUCT NAME: Carriage House
ITEM NUMBER: 56525

Please consult your electrician for hanging fixture and wiring.



To prevent water intrusion, caulk around back-plate where fixture meets the wall using outdoor silicone sealant. Leave a small gap at the bottom to allow moisture to exit.

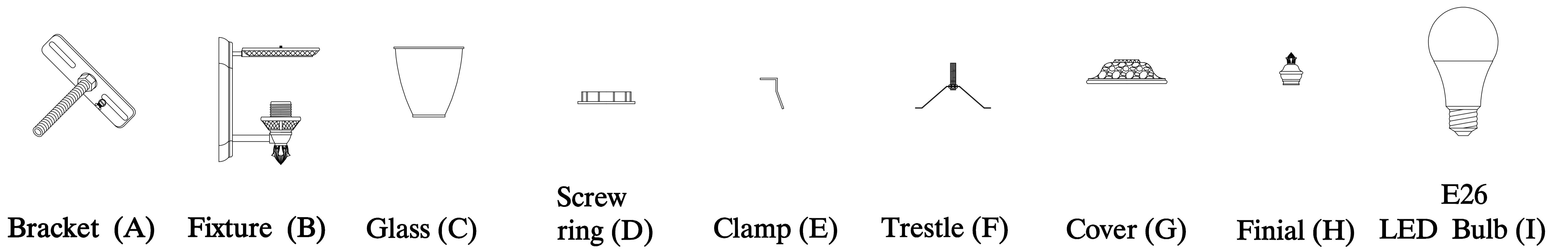
Bulb(included): 1×9W E26 LED

MADE IN CHINA

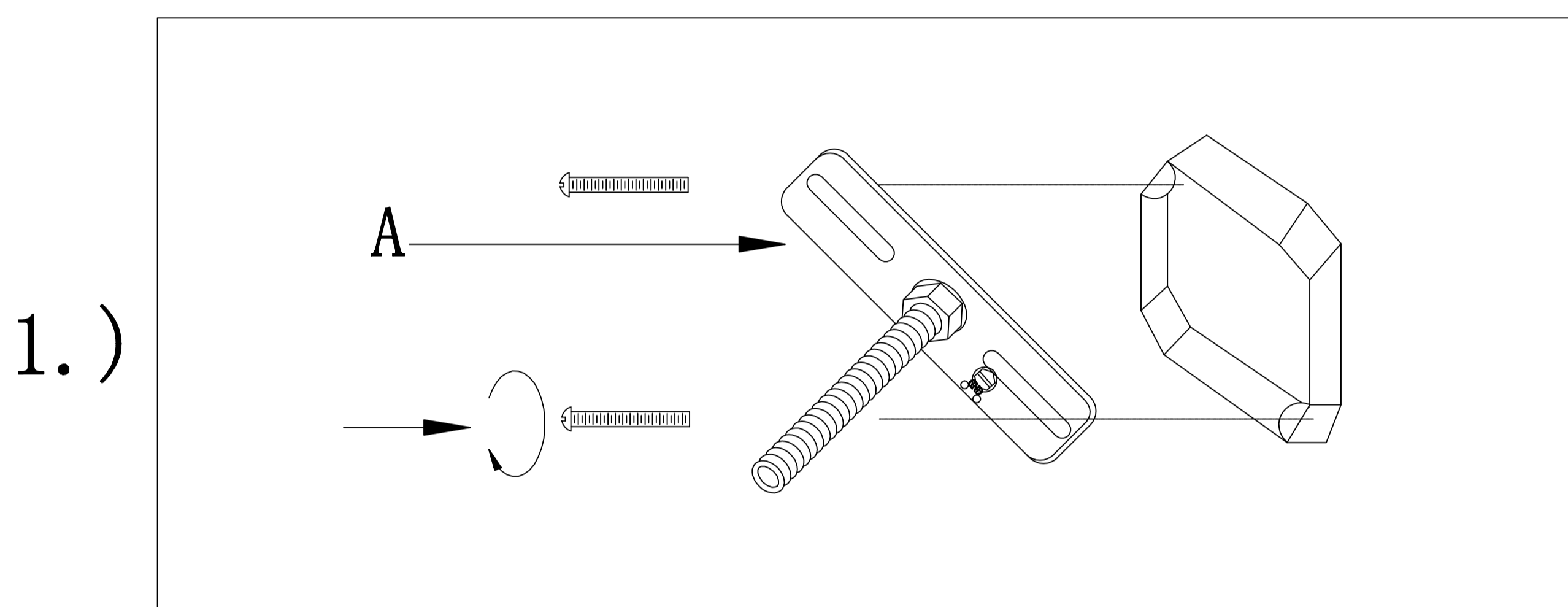


PRODUCT NAME: Carriage House
ITEM NUMBER: 56525

IMPORTANT: Turn off the power at the main fuse or circuit breaker box before starting installation.

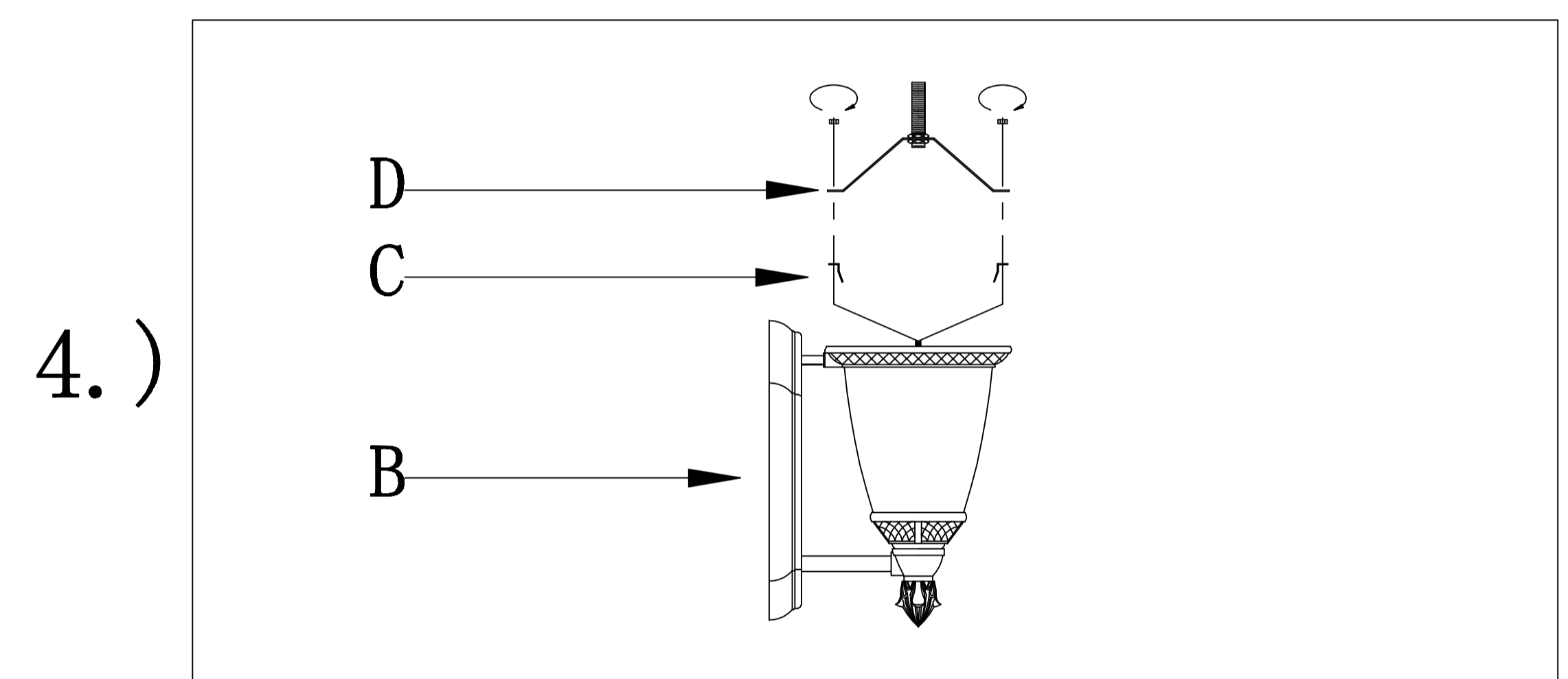


Locate all hardware & components before discarding packaging



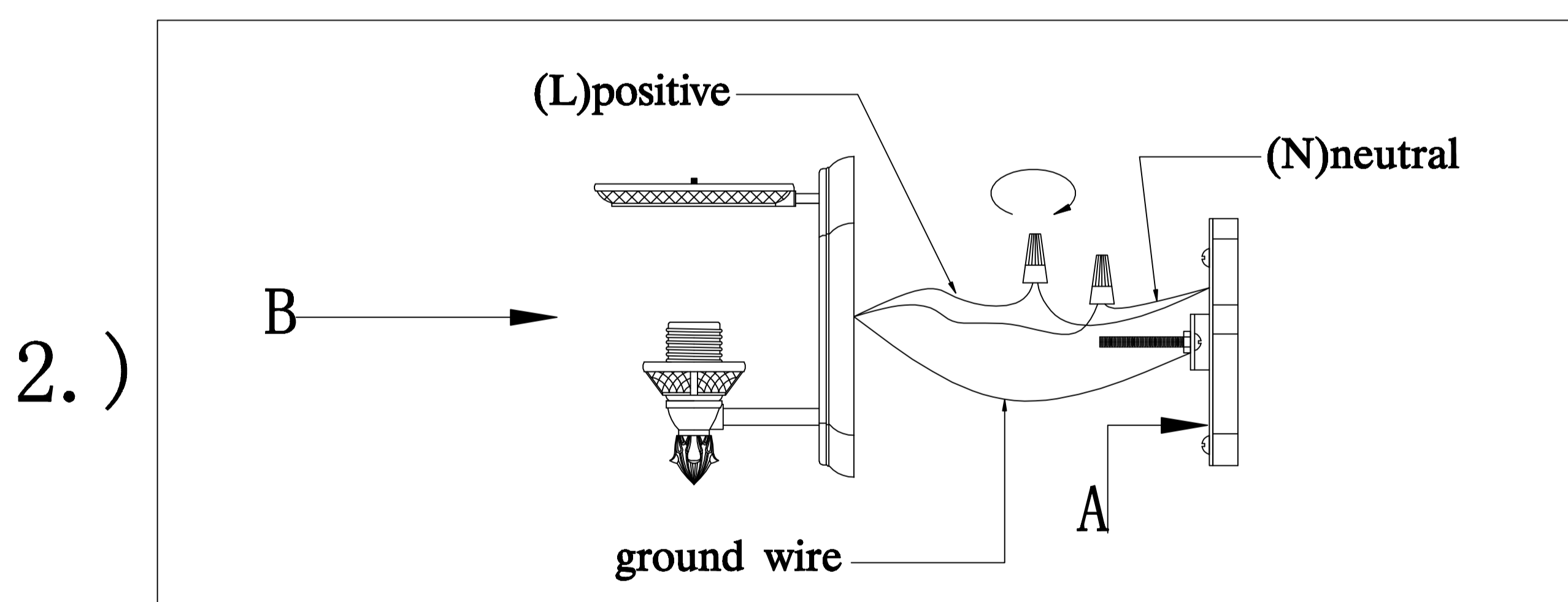
1.)

Step.1: Remove mounting bracket from fixture(B) and install to electrical box. then wire fixture to wires in outlet box. Copper wire is for Ground.



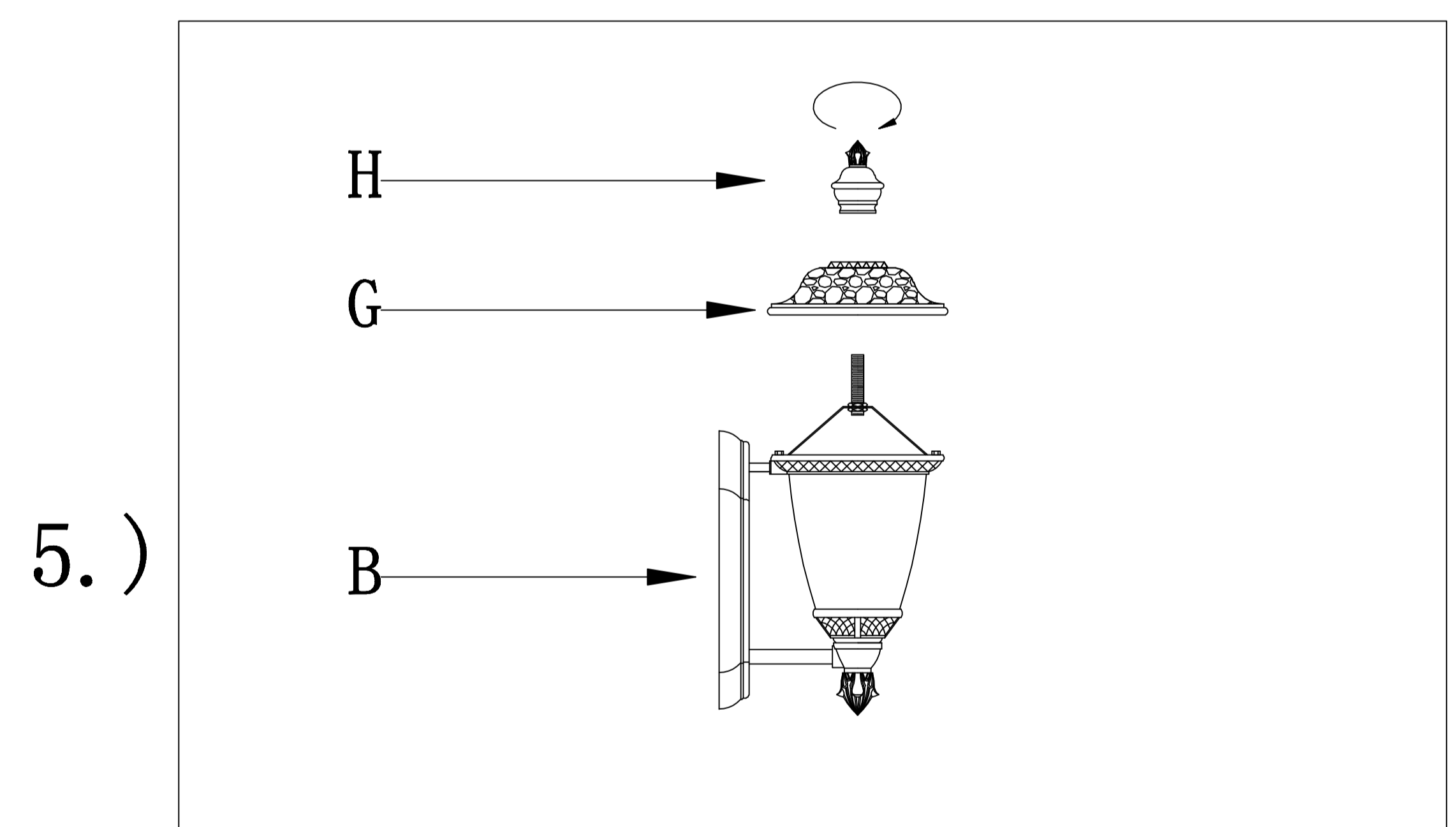
4.)

Step.4: Install the clamp(E) and the trestle(F) to fixture with two nuts.



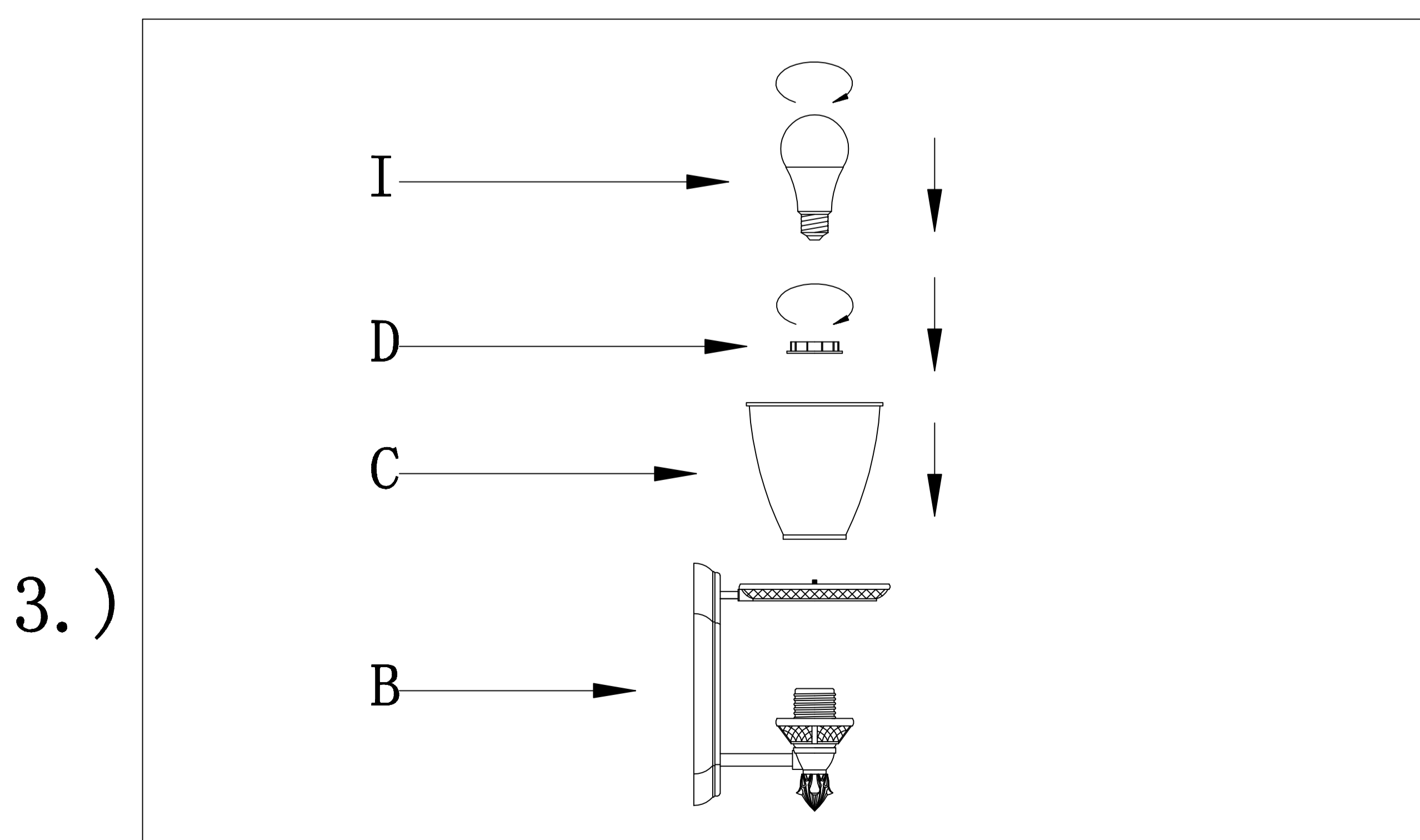
2.)

Step.2: Attach back plate to mounting bracket and tighten ball nuts so fixture meets wall. Caulk fixture where back plate meets the wall with silicone sealant.



5.)

Step.5: Install the cover(G) and the finial(H) to fixture, Then tighten the finial.



3.)

Step.3: Install the glass(C) to fixture(B); Install the screw ring(D) to fixture, tighten the screw ring; Install E26 LED bulb(I).

Cleaning & Care:
Clean with soft cloth and a mild detergent.
Do not use abrasive cleaner.

MADE IN CHINA