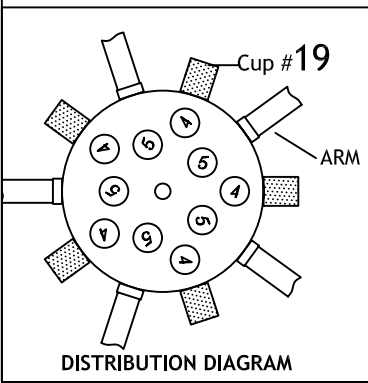
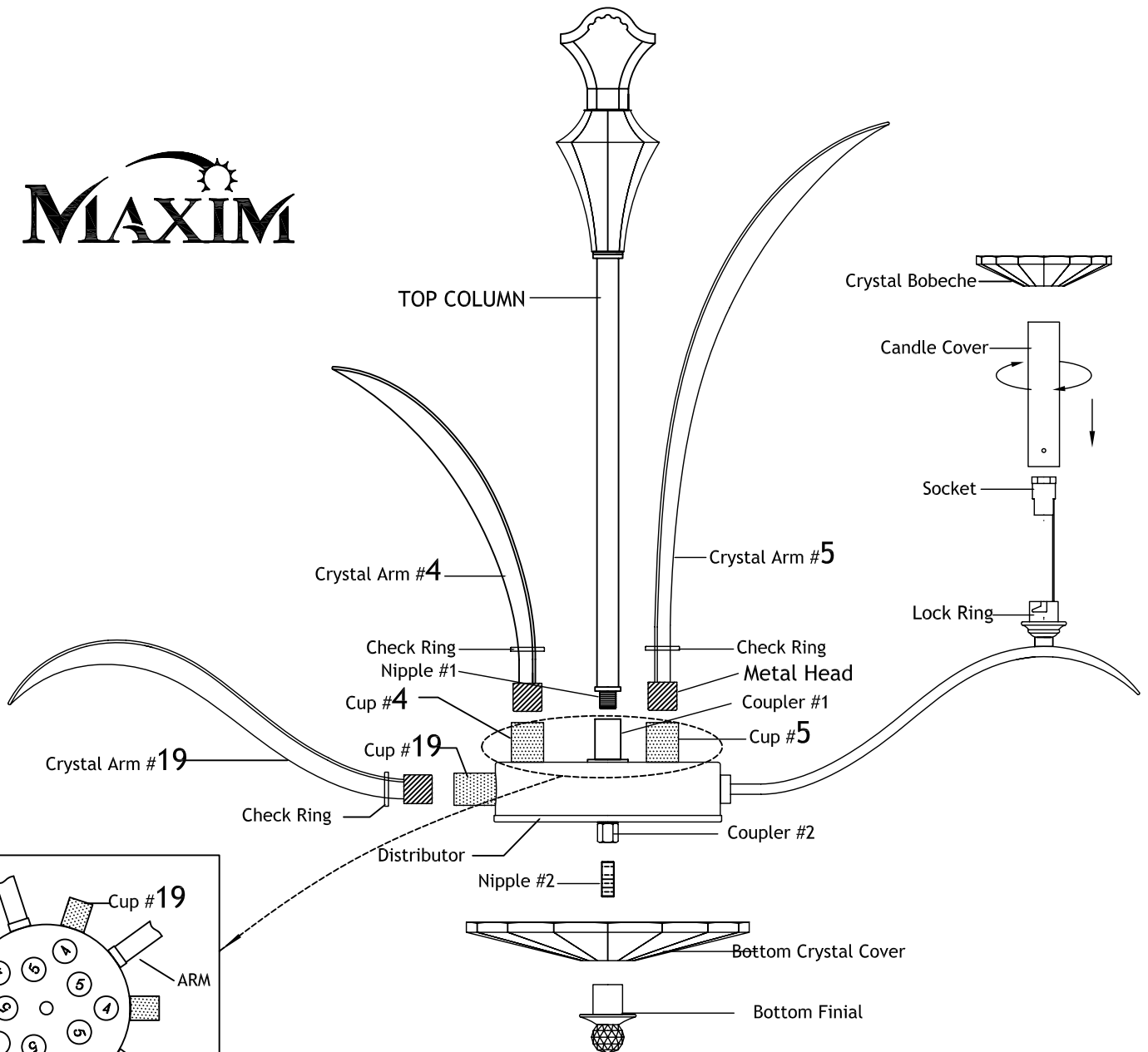
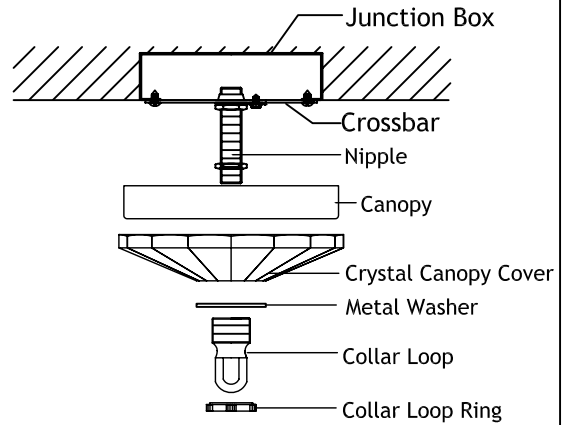


# PARADISE

## ASSEMBLING INSTRUCTION

!! Please use the gloves enclosed before handling any parts or crystal

1. Thread Nipple #1 of the Top Column into Coupler #1. Hang the fixture. Please refer to the Installation Instruction enclosed for installation and wiring.
2. Insert Crystal arm #4 into Cup #4. Remove label prior to installing crystal. The magnet will hold the arm in place. Snap Check Ring onto cup.
3. Repeat Step 2 for Crystal #5, and #19. Please refer to the DISTRIBUTION DIAGRAM for positioning.
4. Insert the Candle Covers over the Sockets with the indented point down and twist lock onto Lock Ring. Install the Crystal Bobeches over the Candle Covers.
5. Thread nipple #2 into coupler #2 on the bottom of the Distributor. Install the Bottom Crystal Cover over Nipple #2 and secure with Bottom Finial.



**MODEL 39948**