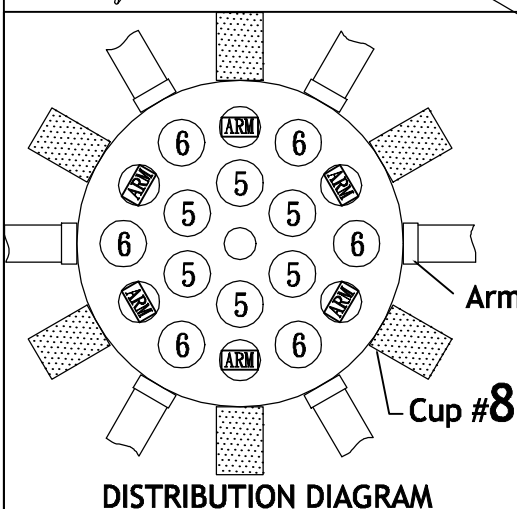
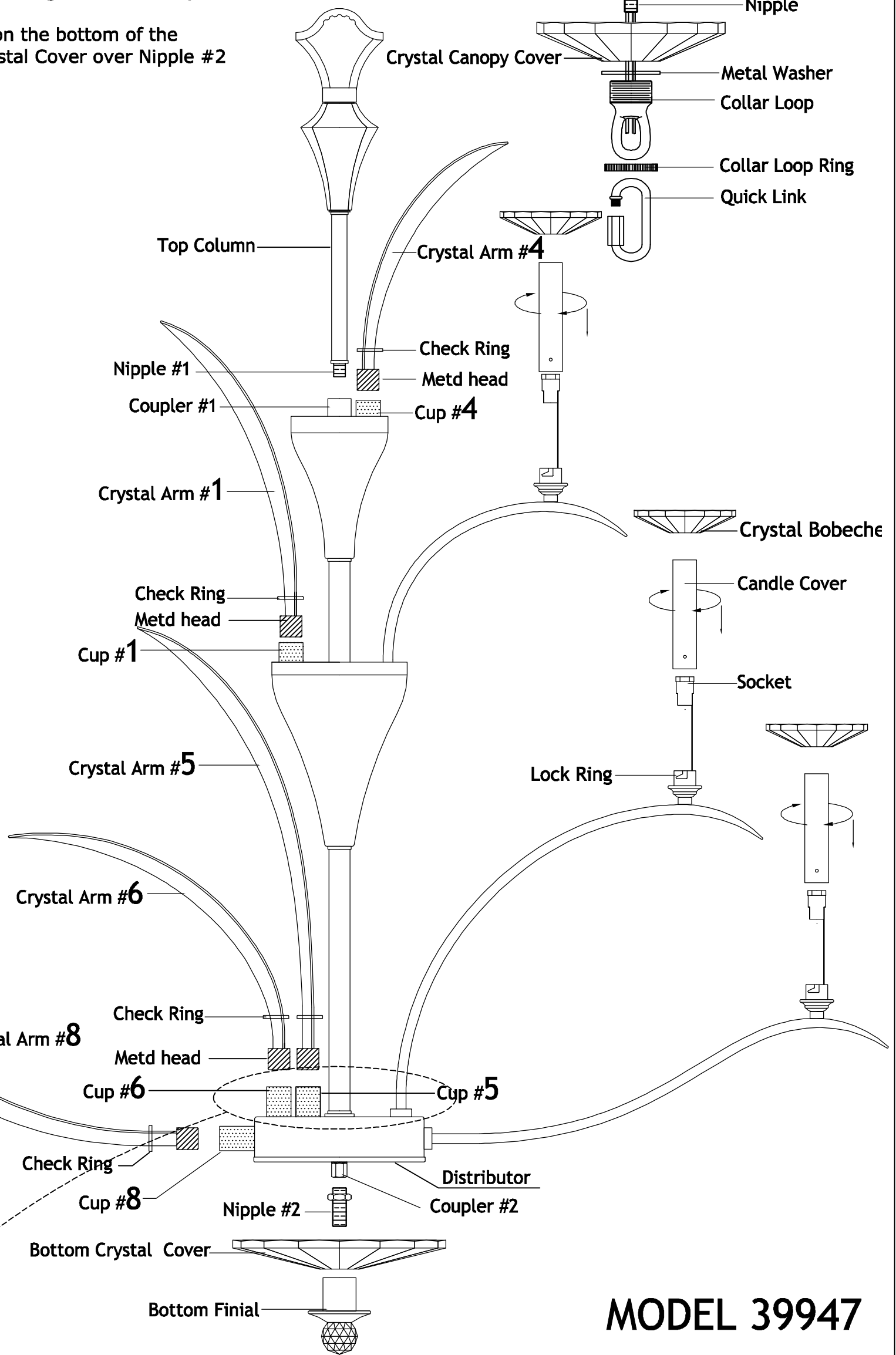
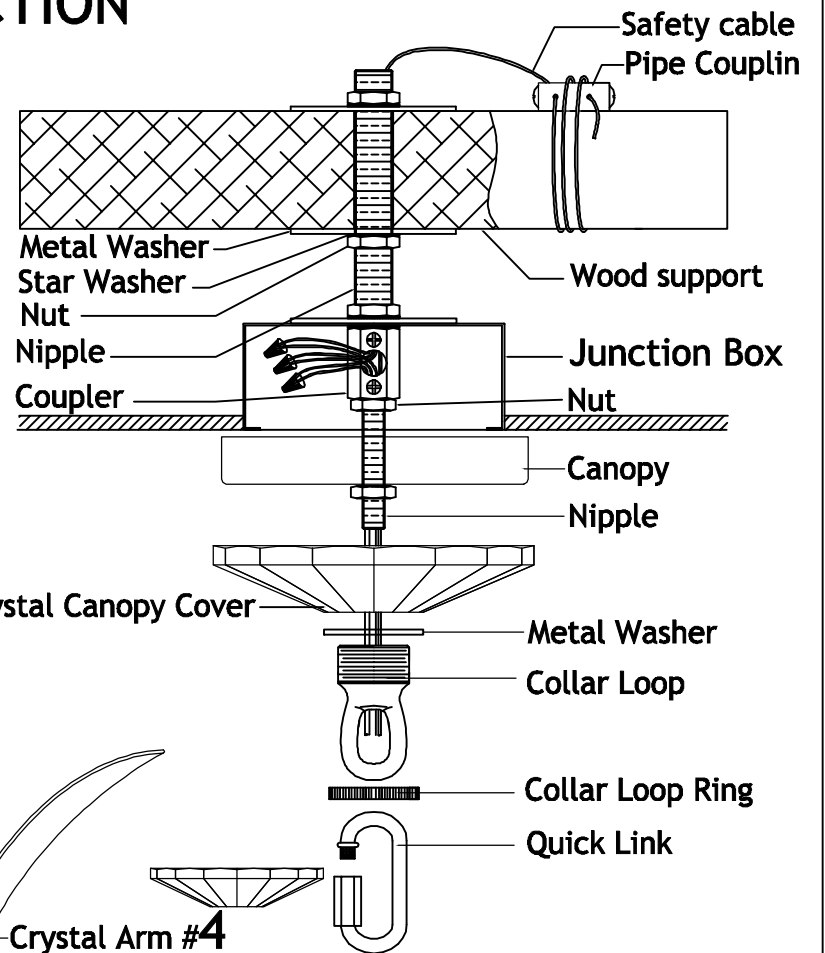


PARADISE

INSTALLATION INSTRUCTION

!! Please use the gloves enclosed before handling any parts or crystal

1. Thread Nipple #1 of the Top Column into Coupler #1.
Hang the fixture. Please refer to the Installation instruction enclosed for installation and wiring.
2. Insert Crystal arm #4 into Cup #4. Remove label prior to installing crystal. The magnet in the cup will hold the arm in place. Snap Check Ring onto Cup.
3. Repeat Step 2 for Crystal #1, #5, #6 and #8. Please refer to the DISTRIBUTION DIAGRAM for positioning.
4. Insert the Candle Covers over the Sockets with the indented point down and twist lock onto Lock Ring. Install the Crystal Bobeches over the Candle Covers.
5. Thread nipple #2 into coupler #2 on the bottom of the Distributor. Install the Bottom Crystal Cover over Nipple #2 and secure with Bottom Finial.



MODEL 39947

For missing parts or installation questions call 1-800-486-2946

COMPONENT LIST			
No.	Component	Q'ty	Replacement Part No.
01	Canopy Kit		
	Wire Nut	3Pcs	
	Nipple (1/2"-18)	1Pc	
	Collar Loop	1Pc	
	Chain	1Pc	
	Crystal Canopy Cover	1Pc	CRYCOV023
	Ground Screw	1Pc	
	Star Washer	4Pcs	
	Mounting Screws	2Pcs	
	Metal Washer	3Pcs	
	Metal Washer	1Pc	
	Coupler	1Pc	
	Nipple (5/8")	1Pc	
	Hex nut(5/8)	3Pcs	
	Hex nut(1/2"-18)	2Pcs	
	Canopy	1Pc	
	Quick Link	2Pcs	CHNQL020PS
	Pipe Coupling	1Pc	
Mounting Screws(1/4")	2Pcs		
02	Crystal Bobeche	15Pcs	CRYCOV027
03	Candle Cover	15Pcs	
04	Crystal Arm #4	6Pcs	CRYARM004
05	Crystal Arm #1	6Pcs	CRYARM001
06	Crystal Arm #5	6Pcs	CRYARM005
07	Crystal Arm #6	6Pcs	CRYARM006
08	Crystal Arm #8	6Pcs	CRYARM008
09	Nipple # 2	1set	
10	Bottom Crystal Cover	1Pc	CRYCOV021
11	Bottom Finial	1Pc	FINCRY028
12	Top Column	1Pc	
13	Glove	1pair	