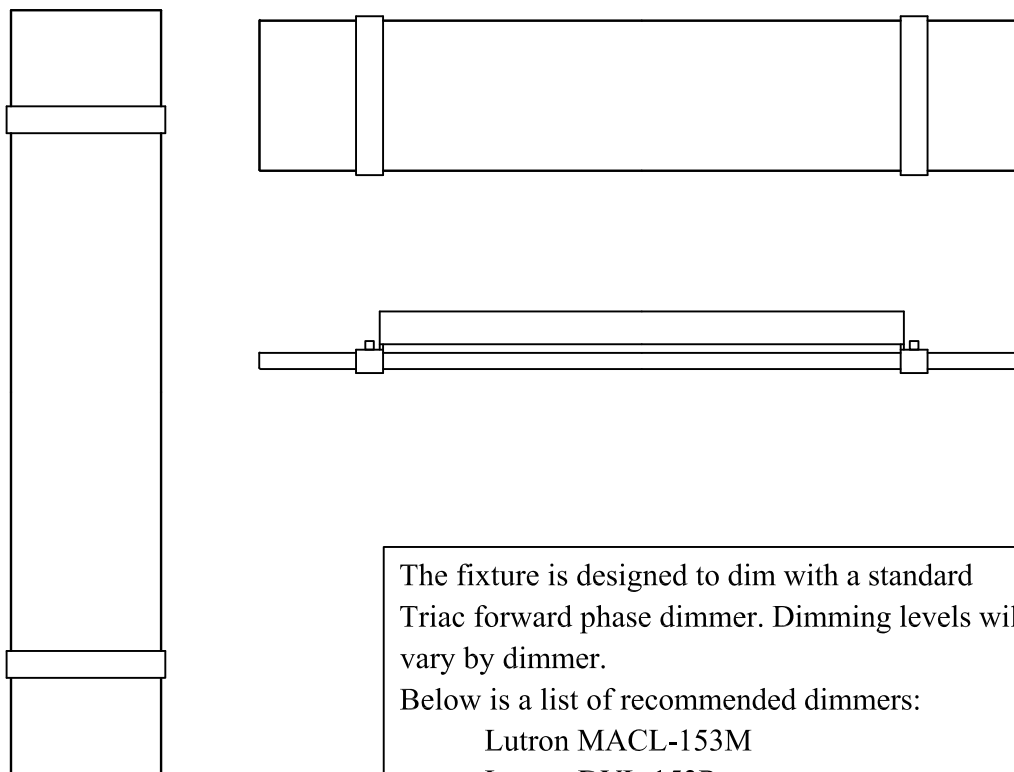




PRODUCT NAME: Image 1-Light Bath Vanity
ITEM NUMBER: 39635CLSN/39636CLSN/39638CLSN

Please consult your electrician for hanging fixture and wiring.

Alternate Installations: Vertical / Horizontal



The fixture is designed to dim with a standard Triac forward phase dimmer. Dimming levels will vary by dimmer.

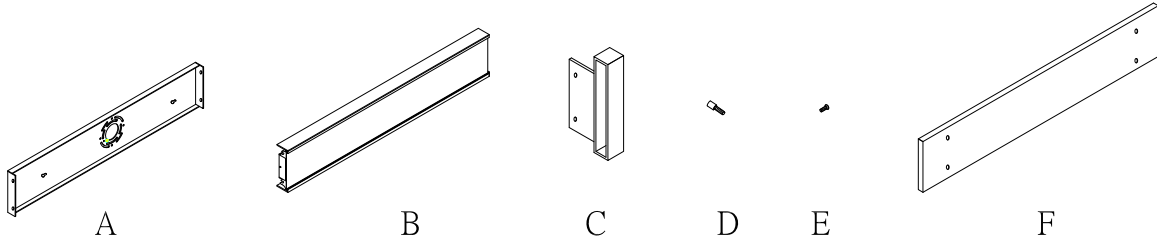
Below is a list of recommended dimmers:

- Lutron MACL-153M
- Lutron DVL-153P
- Lutron SCL-153P
- Leviton IPL06-10Z
- Leviton 6674-POW

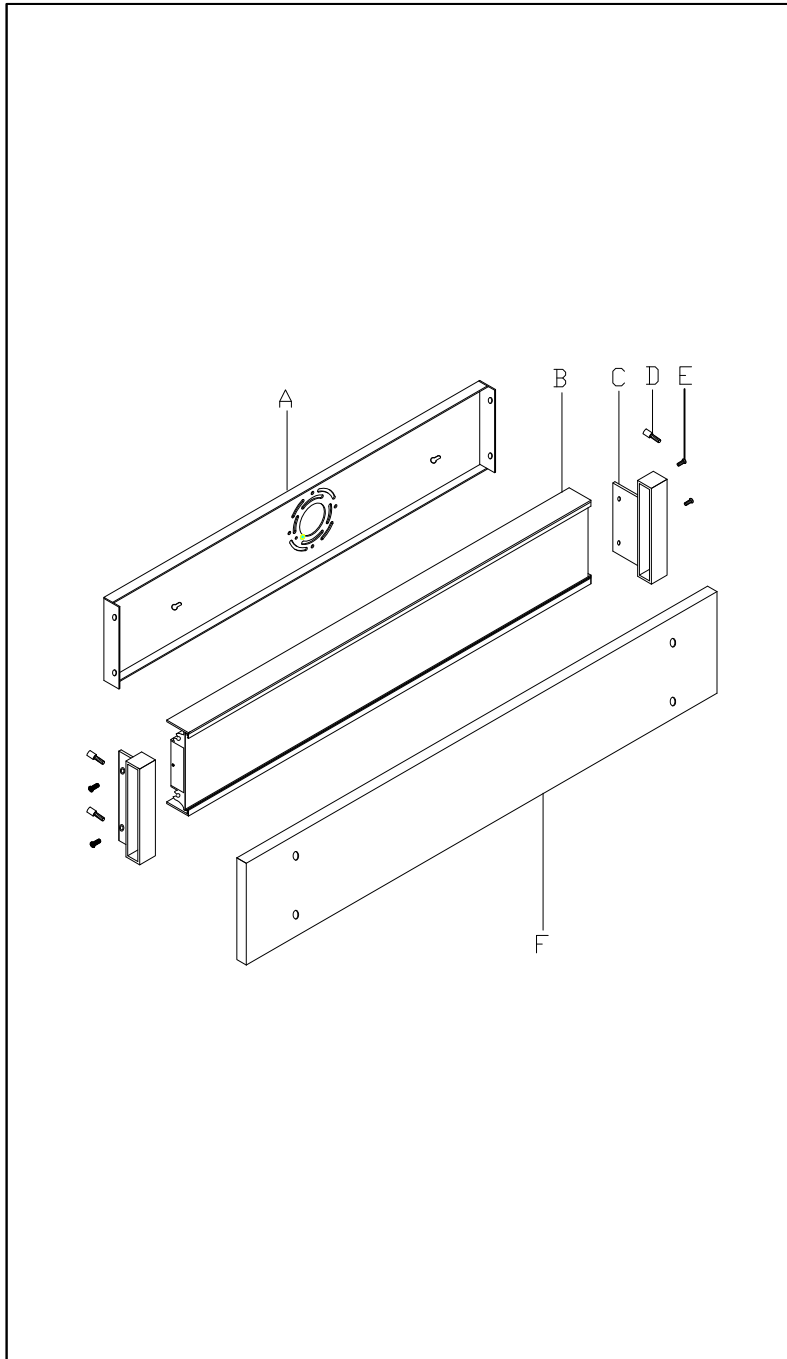
Due to inrush current, wattage should not exceed 150 Watts of product for a 600 Watt dimmer.

Bulb (integrated): 17W/22W/32W LED

IMPORTANT: Turn off the power at the main fuse or circuit breaker box before starting installation

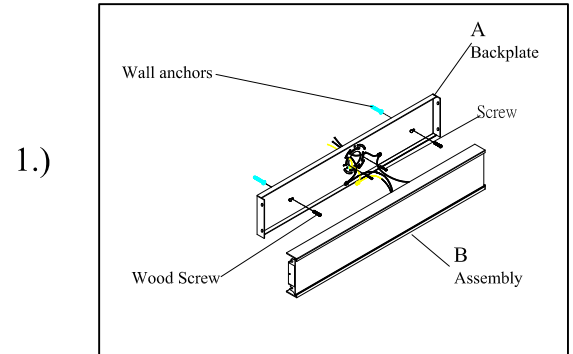


Locate all hardware & components before discarding packaging

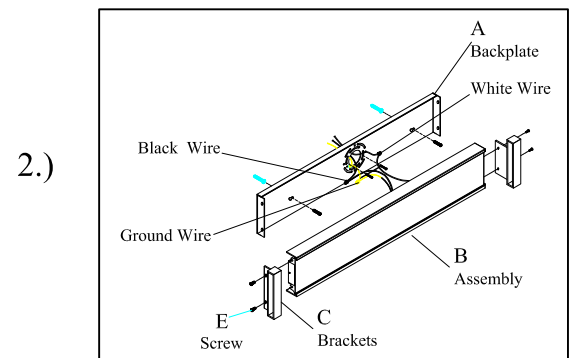


Cleaning & Care:

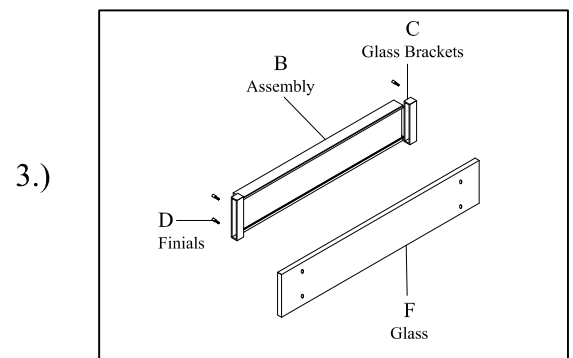
Clean with soft cloth and a mild detergent.
Do not use abrasive cleaner.



Step.1: Remove backplate (A) from fixture (B) and install to electrical box. Mark where anchors meet the wall. Drill holes using 3/16" ± drill bit where marked. Install backplate (A) to outlet box and attach anchors to secure bracket at ends.



Step.2: Wire fixture to wires in outlet box. Copper wire is for Ground. Attach assembly (B) to the backplate (A) running screws (E) provided through the brackets (C) before tightening.



Step.3: Run glass (F) through glass brackets (C) and secure to brackets using finials (D).