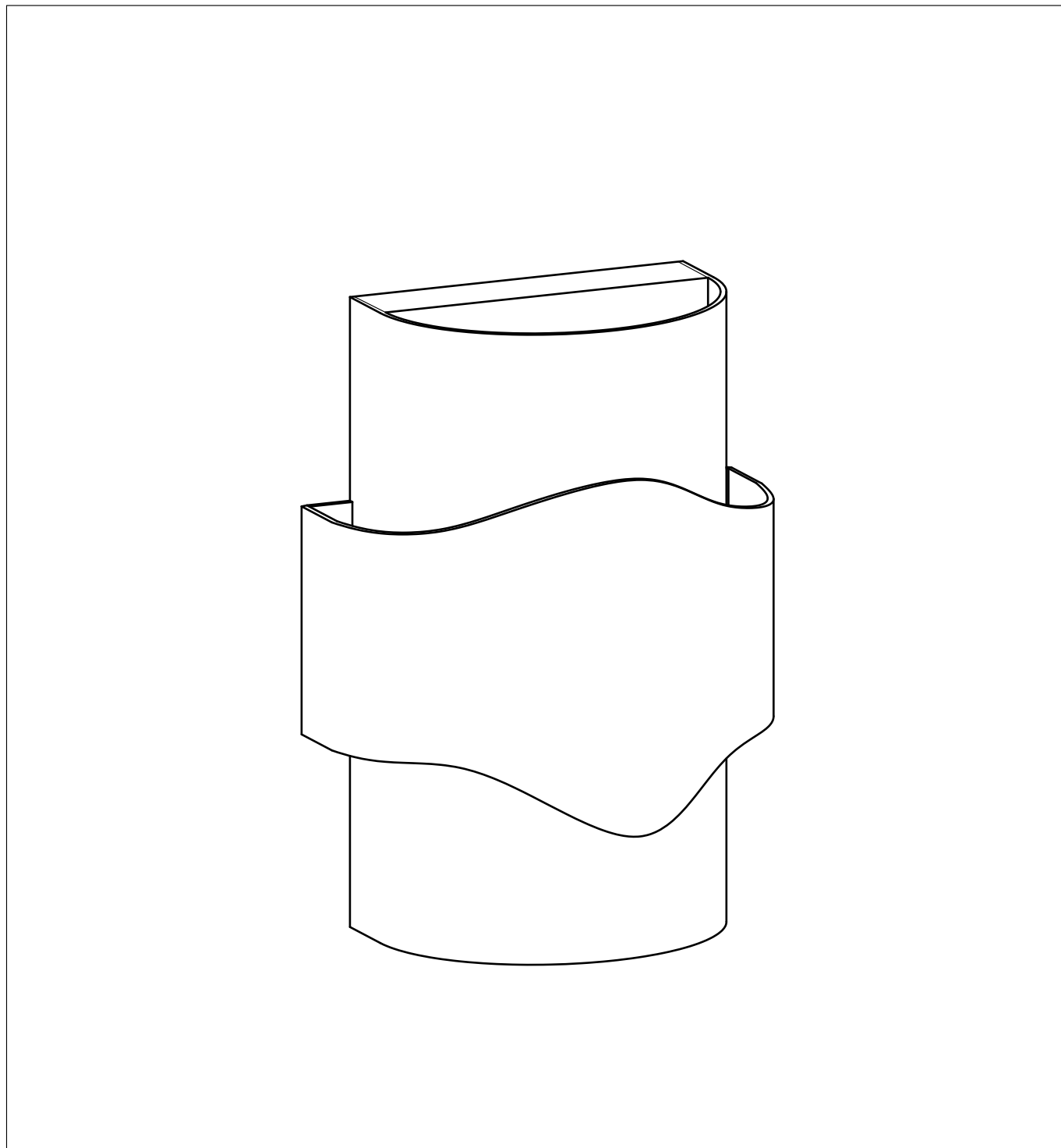




**PRODUCT NAME: FLOW**

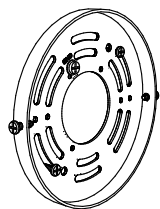
**ITEM NUMBER: 38392BZGTGLD**

**Please consult your electrician for hanging fixture and wiring.**

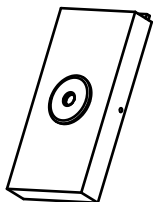


**LED 1X11W (Bulb included)**

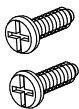
**IMPORTANT: Turn off the power at the main fuse or circuit breaker box before starting installation.**



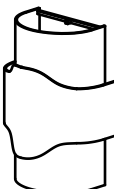
Mounting Strap (A)



Body (B)

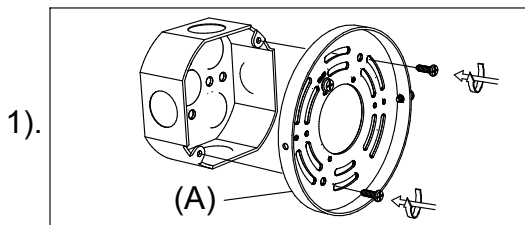
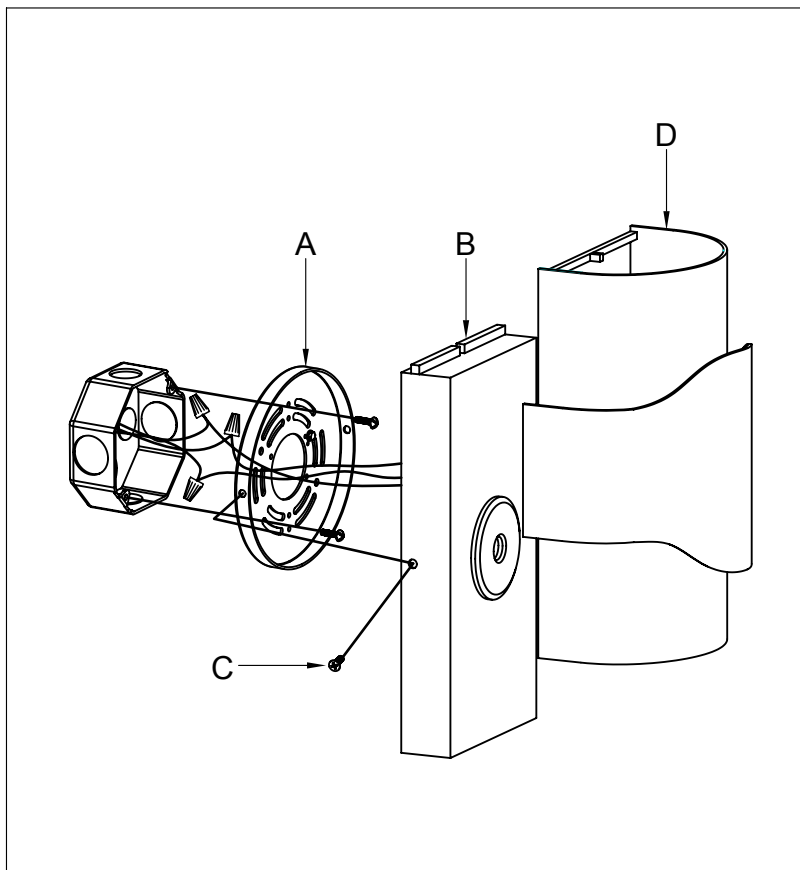


Screw (C)



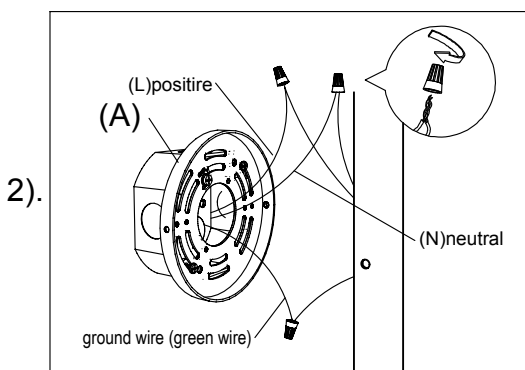
frame (D)

**Locate all hardware & components before discarding packaging**



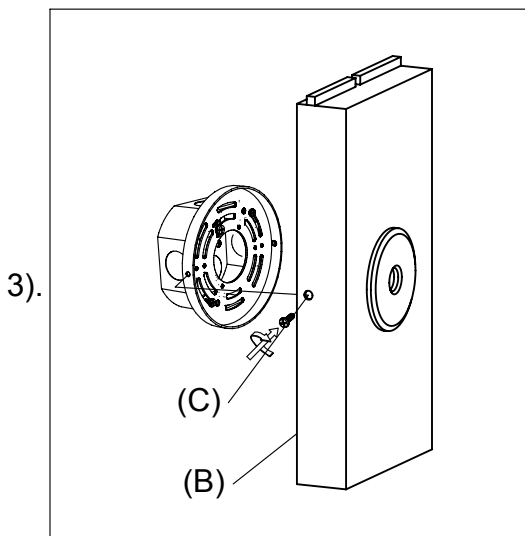
1).

Step.1: Remove mounting Strap (A) from fixture and install to electrical box.



2).

Step.2: Wire fixture to wires in outlet box. Green wire is for Ground.



3).

Step.3: Install body (B) to the outlet box and secure with screw(C). And install the frame (D)

**Cleaning & Care:**

Clean with soft cloth and a mild detergent.  
Do not use abrasive cleaner.