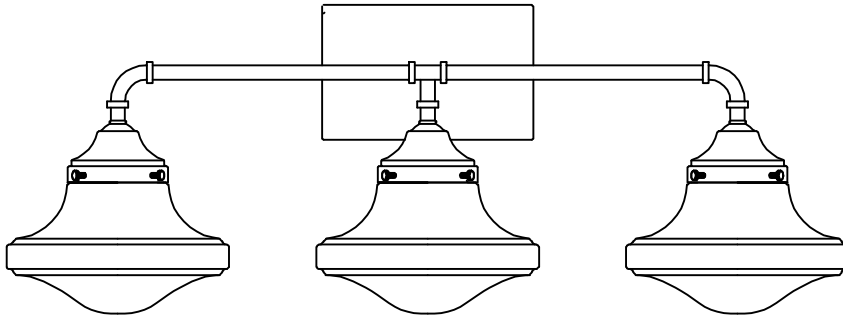




PRODUCT NAME:New School LED
ITEM NUMBER:30242SWSN 30247SWSN

Please consult your electrician for hanging fixture and wiring.



The fixture is designed to dim with a standard Triac forward phase dimmer. Dimming levels will vary by dimmer.

Below is a list of recommended dimmers:

Lutron MACL-153M

Lutron DVL-153P

Lutron SCL-153P

Leviton IPL06-10Z

Leviton 6674-POW

Due to inrush current, wattage should not exceed 150 Watts of product for a 600W dimmer.

WARNING: Wires need to be connected to driver found in canopy and should not be connected directly to power source or a short may occur.

30242SWSN : 9W LED 3000K DIMMABLE

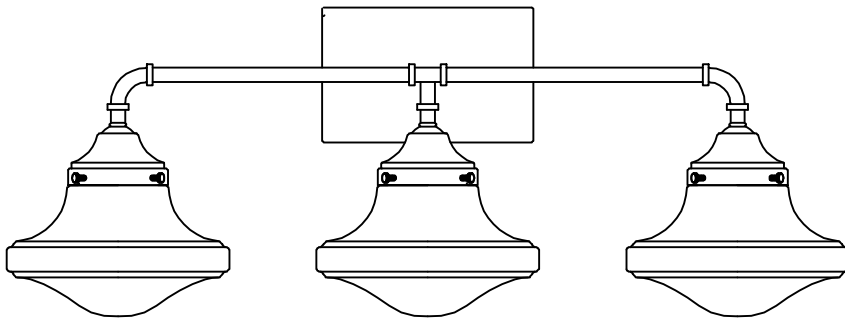
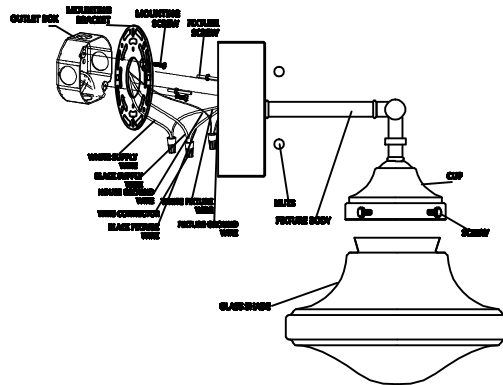
30247SWSN : 23W LED 3000K DIMMABLE



PRODUCT NAME: New School LED
 ITEM NUMBER: 30242SWSN 30247SWSN

CAUTION: Turn off the main power at the circuit breaker before installing and servicing the fixture to prevent possible injury from electric shock.

All electrical connections must be in accordance with local and National Electrical Code (N.E.C.) standards. If you are unfamiliar with proper electrical wiring connections, obtain the services of a qualified electrician.



- 1: Thread the 8-32 HEX NUT onto the FIXTURE SCREW, and screw the FIXTURE SCREW into the MOUNTING BRACKET, without tightening the HEX NUT.
- 2: Pull the power supply wires out from the OUTLET BOX and mount the MOUNTING BRACKET or the universal mounting plate to the OUTLET BOX (NO INCLUDE), using MOUNTING SCREWS.
- 3: Attach the power supply wires to the fixture lead wires by connecting BLACK to BLACK, WHITE to WHITE. Attach the POWER SUPPLY GROUND WIRE from the OUTLET BOX and the FIXTURE GROUND WIRE by using WIRE NUT.
- 4: After wires are connected, tuck them carefully inside the outlet box. Position back plate over the OUTLET BOX and onto the FIXTURE SCREW, and adjust the FIXTURE SCREWS until they protrude out from the back plate approximately 1/4". Remove the back plate and secure the position of the FIXTURE SCREW by tightening the HEX NUTS against the MOUNTING BRACKET. Place the back plate back onto the FIXTURE SCREW, and secure into place by using the CAP NUTS as provided.
- 5: slide the GLASS SHADE over the CUP, then screw on the SCREW