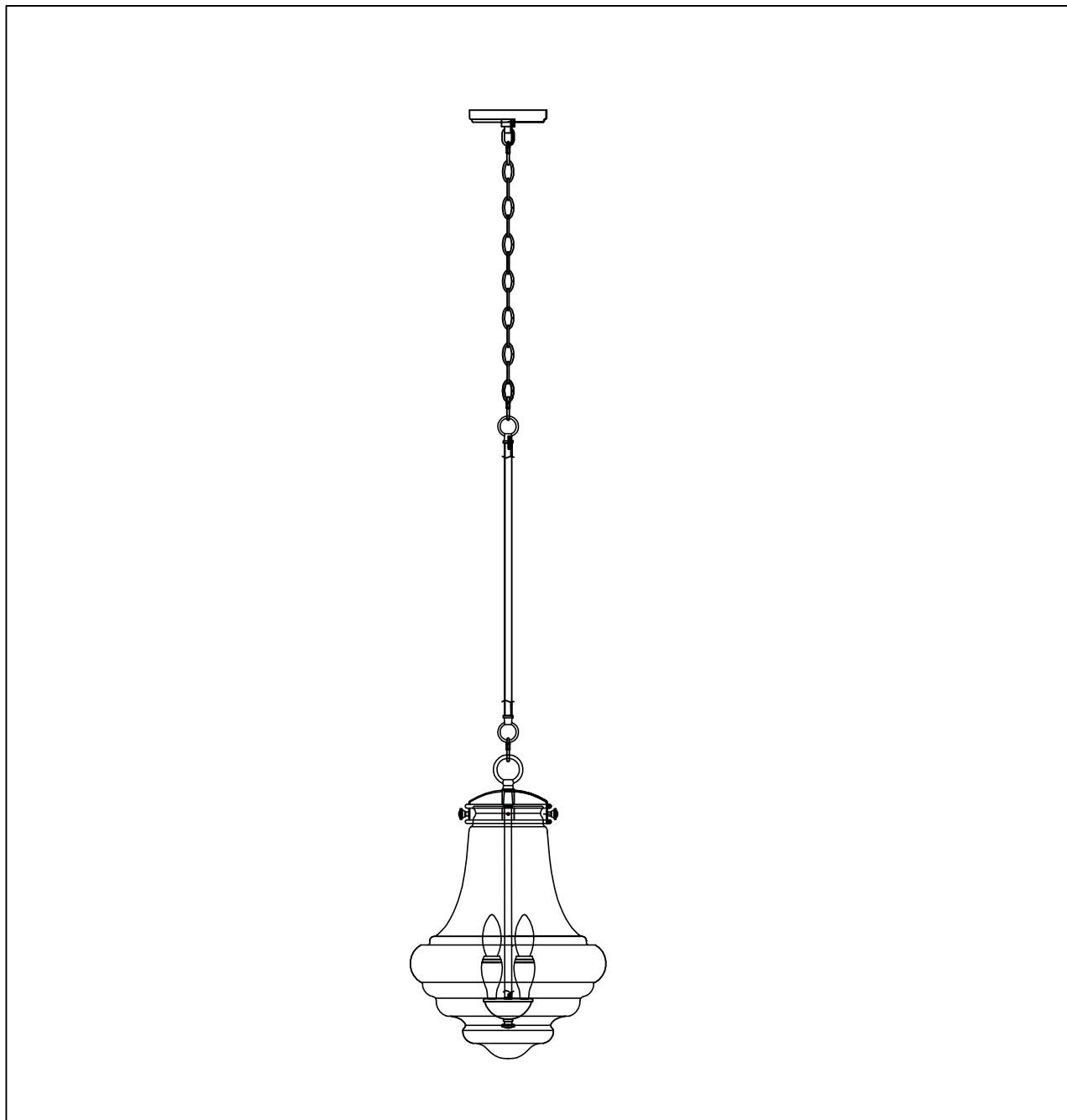




PRODUCT NAME: Retro
ITEM NUMBER: 25187

Please consult your electrician for hanging fixture and wiring.



Bulb(not included) :3*CA 60W

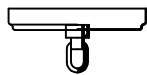
**PRODUCTS ARE NOT INENDED
FOR COMMERCIAL USE.**

MADE IN CHINA
Page 1 of (3)

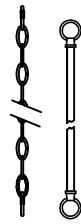
IMPORTANT: Turn off power at the main fuse or circuit breaker box before starting installation



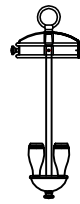
(A) Bracket



(B) Canopy

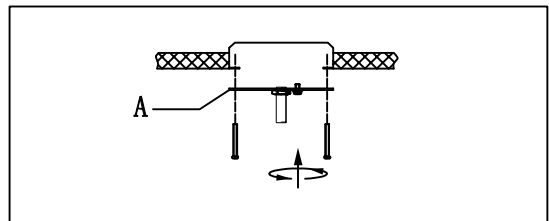
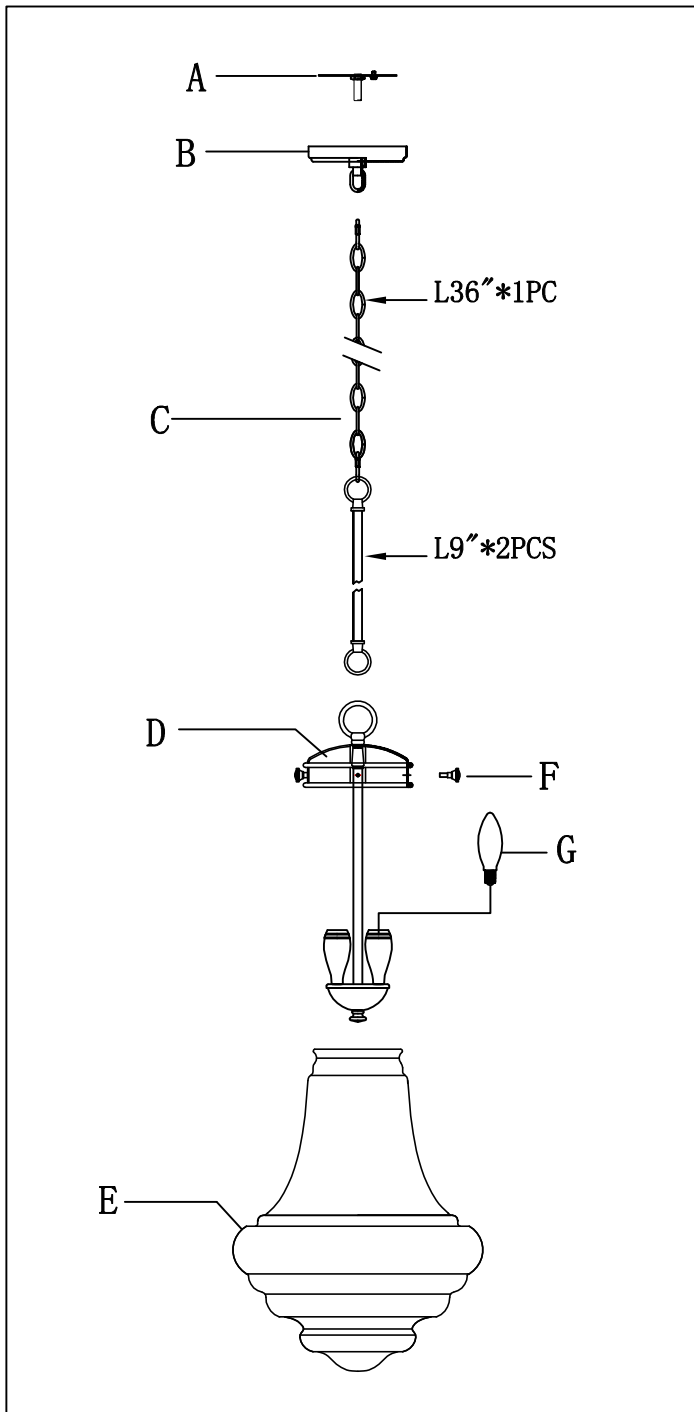


(C) Stem and Chain



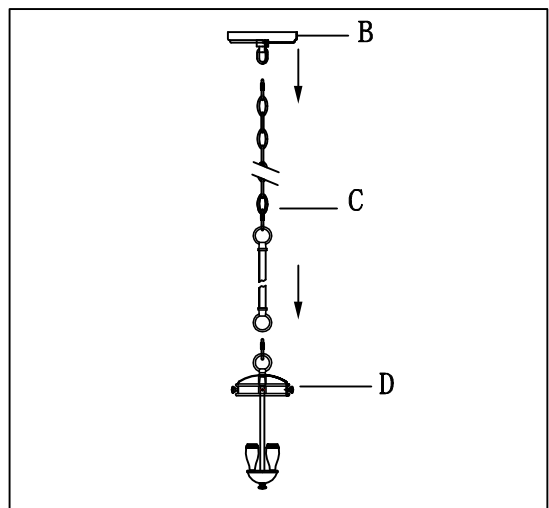
(D) Body

Locate all hardware & components before discarding packaging



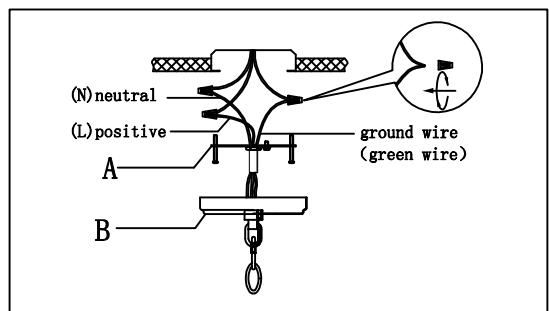
1.)

Step. 1: Remove mounting bracket(A) from fixture and install to electrical box.



2.)

Step. 2: Run wire through stems and Chain (C) and combine Chain lengths to meet desired mounting height.



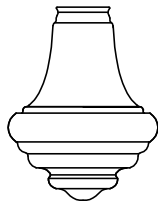
3.)

Step. 3: Wire fixture to wires in outlet box. Copper/Green wire is for Ground.

Cleaning & Care:

Clean with soft cloth and a mild detergent. Do not use abrasive cleaner.

IMPORTANT: Turn off power at the main fuse or circuit breaker box before starting installation



(E) Shade

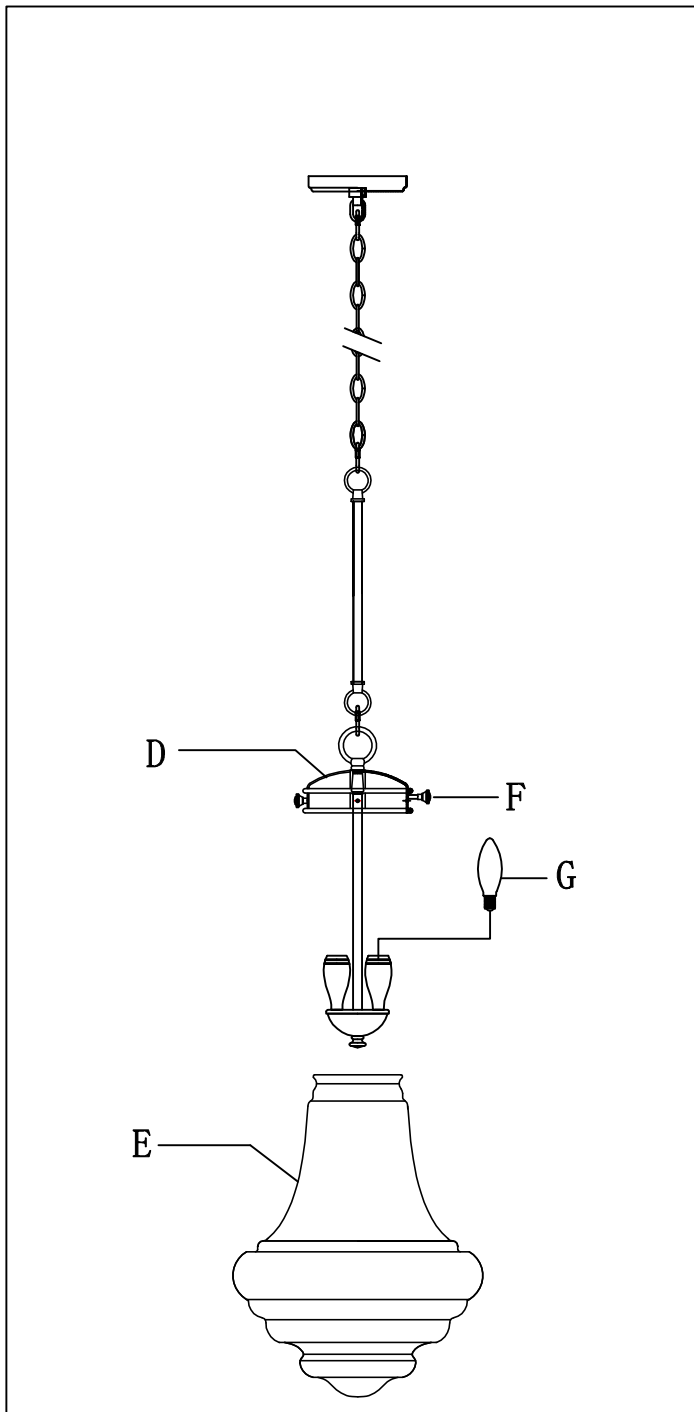


(F) Lock nut

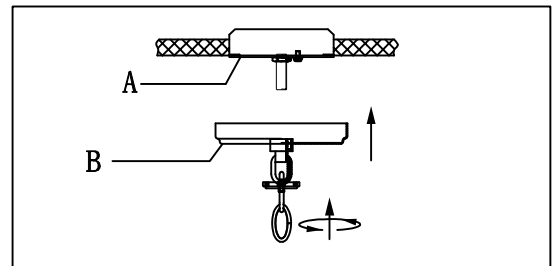


(G) Bulb

Locate all hardware & components before discarding packaging

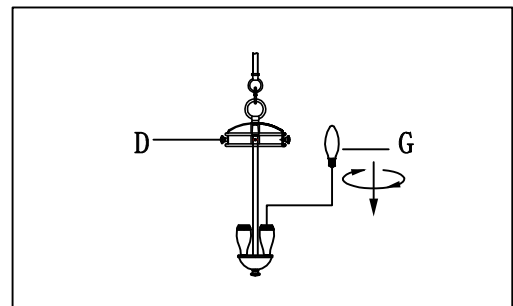


4.)



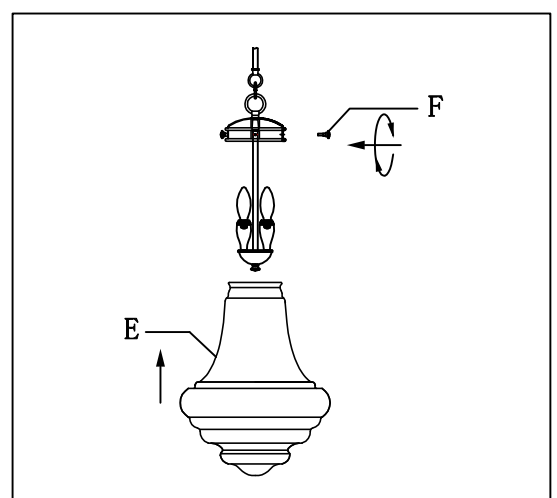
Step. 4: Install fixture to bracket and tighten screws at the ends of the canopy (B) to secure.

5.)



Step. 5: Install the bulb

6.)



Step. 6: Use lock screws (F) to secure glass (E) to fixture.

Cleaning & Care:

Clean with soft cloth and a mild detergent. Do not use abrasive cleaner.