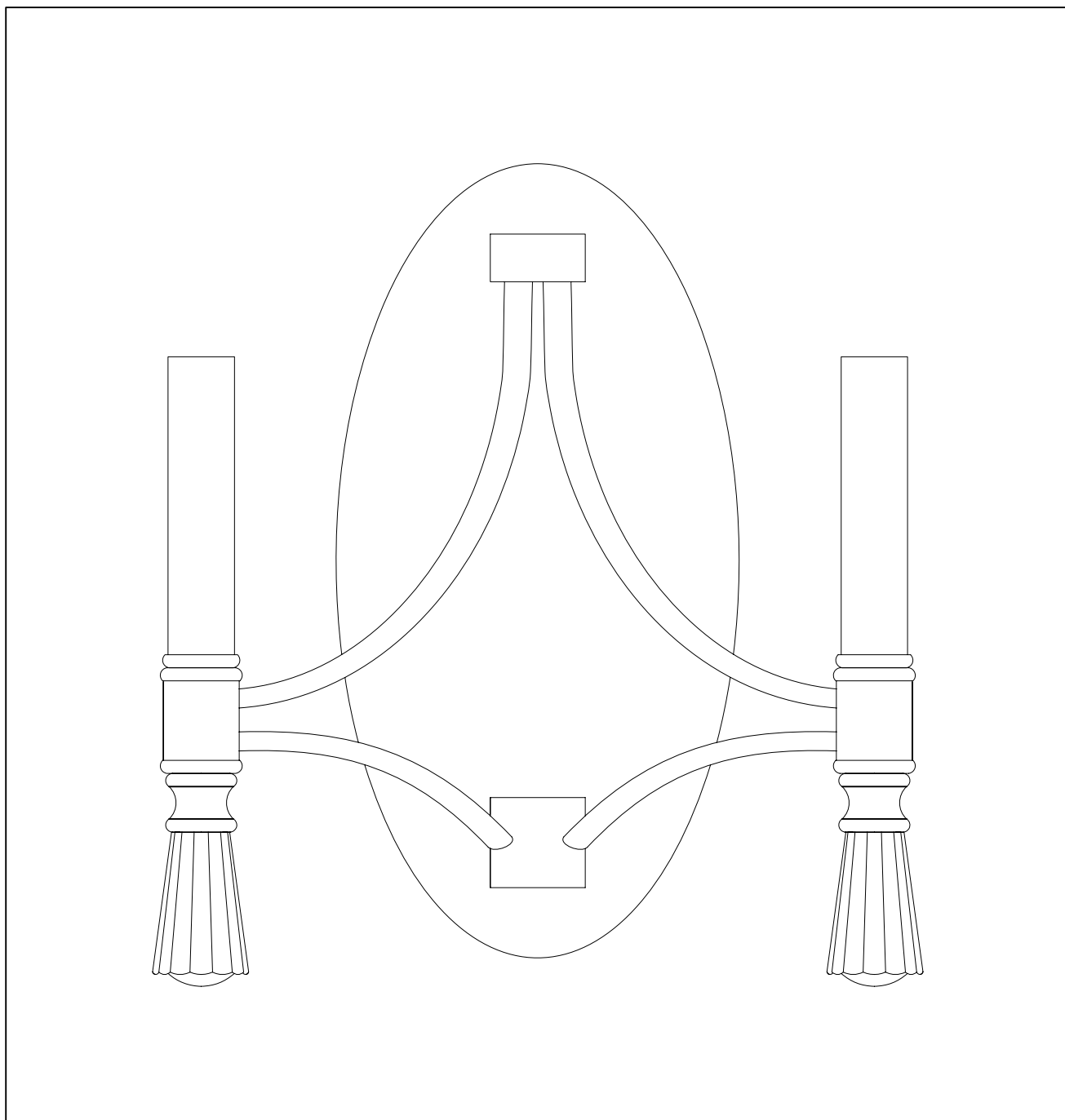




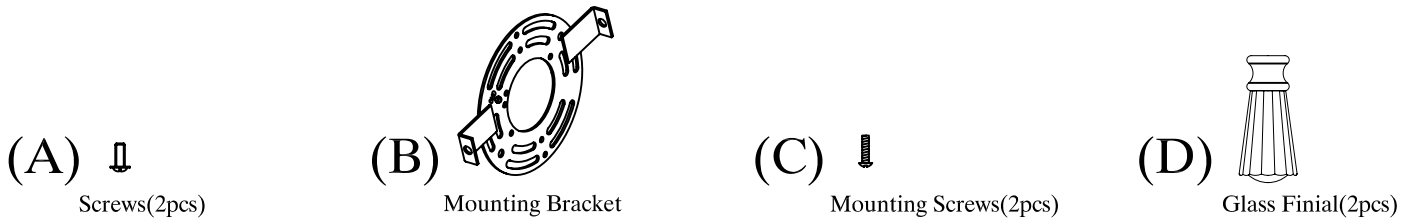
PRODUCT NAME: Regal 2 Light Wall Sconce  
ITEM NUMBER: 21682CLSG

Please consult your electrician for hanging fixture and wiring.

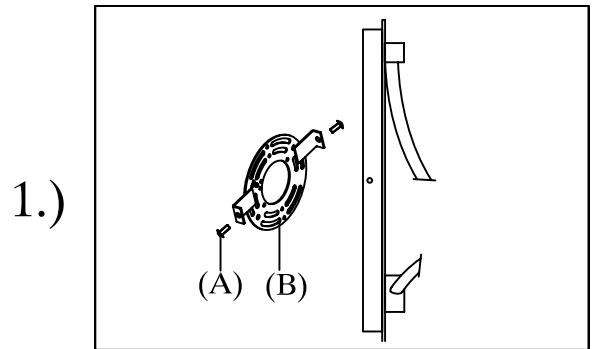
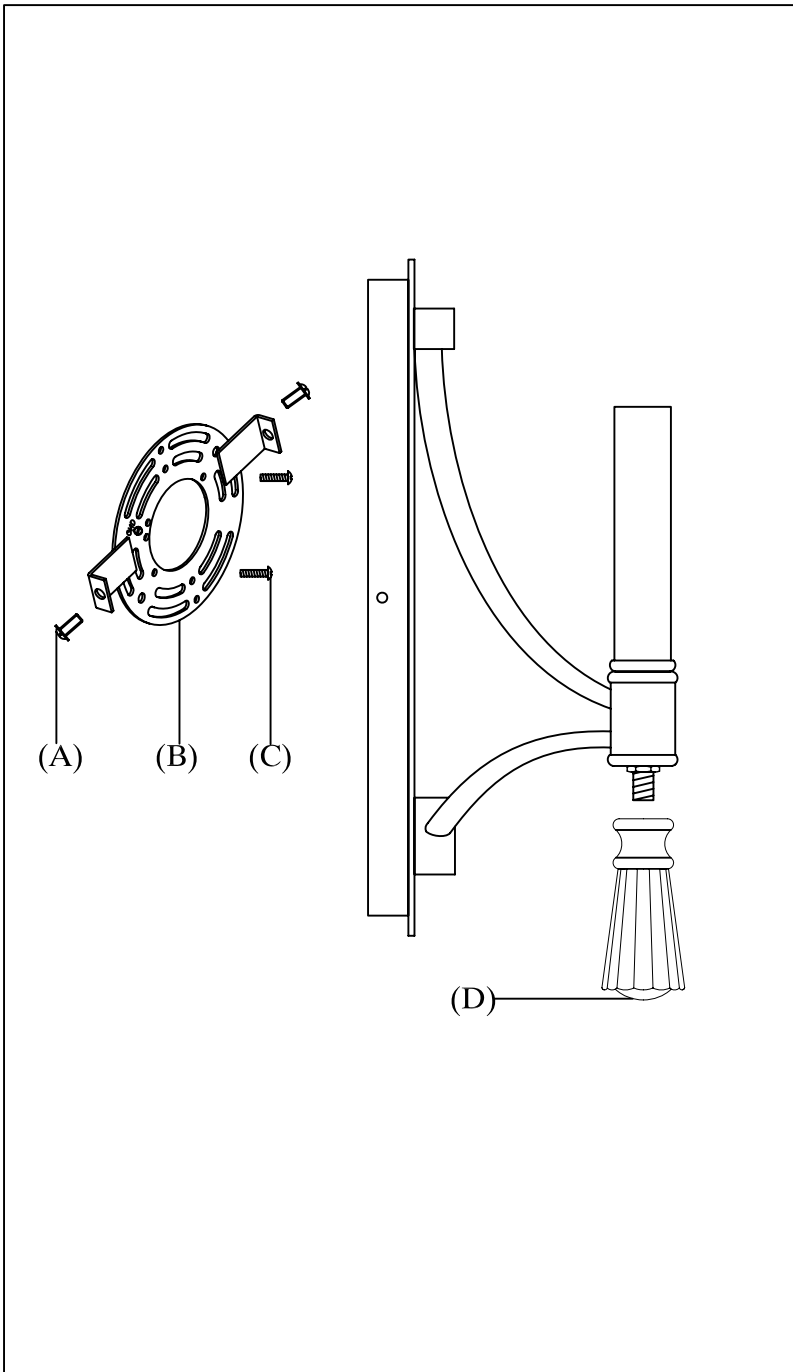


**Bulb(not included) E12 2 x MAX 40W**

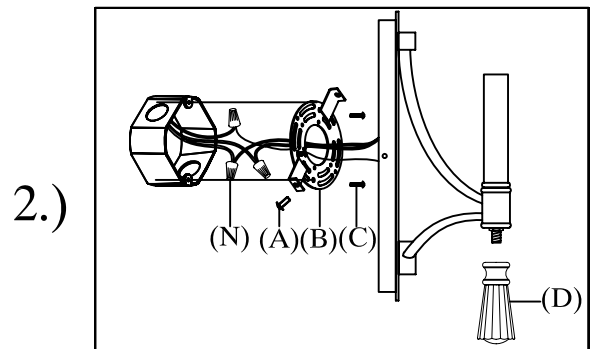
**IMPORTANT: Turn off the power at the main fuse of circuit breaker box before starting installation**



Locate all hardware & components before discarding packaging



Step 1: Remove mounting bracket(B) from fixture and install to electrical box using mounting screws(C).



Step 2: Wire fixture to wires in outlet box. Copper wire is for Ground. Attach wall sconce to mounting bracket and secure using screws (A) provided. Finally attach glass finial(D).

**Cleaning & Care:**

Clean with soft cloth and a mild detergent.  
Do not use abrasive cleaner.